

### Section 3 - forecasted use

<b>Type Of User</b>	<p>This press has been designed for amateural use.          This unit does not require specific training but we recommend that this machine be used by people having a minimum of experience in this field.  <b>We strongly discourage that this press be used by children under the age of 16.</b></p>
<b>Use</b>	<p>This press has been designed for pressing whole grapes or crushed grapes.          It can also be used for pressing fruits like apples and pears etc..</p>
<b>Movements</b>	<p>The only movement of the idropress is the expanding of the membrane which is protected by the wood basket cage.</p>
<b>Environment For Unit</b>	<p>The idropress is build with steel Fe 37 and varnished with paint. The basket is made up of wood slats screwed on steel loops.          We advise that press be not exposed to atmospheric agents and when not in use be covered with a nylon sack.</p>
<b>Operating Comands</b>	<p>Press operates manually and with the pressure of water.</p>
<b>Disconnection Of Idropress</b>	<p>Disconnect water tube from main suply line and follow maintenance and preservation instructions in section 7.</p>
<b>Improper Use</b>	<p>Idropress membrane must always be completely and uniformly filled with water.          If membrane is only filled partially you will have a mushroom shaped membrane causing damage and weakening of same.  <b>It is absolutely forbidden to use the idropress with top cover open or with block nut not in place or only partially tightened.</b></p>

## Section 4 - technical data

### Features

Model	Weight	Materials	Membrane	Pressure	Filling time
Ø 400	Kg 55	Fe 37+wood	Non toxic rubber	Atm. 3,5	<b>Fill membrane slowly</b>
Ø 450	Kg 65	Fe 37+wood	Non toxic rubber	Atm. 3,5	
Ø 500	Kg 82	Fe 37+wood	Non toxic rubber	Atm. 3,5	
Ø 550	Kg 105	Fe 37+wood	Non toxic rubber	Atm. 3,5	
Ø 700 A+B	Kg 230	Fe 37+wood	Non toxic rubber	Atm. 3,5	

**LEGEND: A = on wheels B = spring loaded cover opening**

**Membrane Pressure** Idropress is fitted with a membrane whose operating pressure varies from 2 to 4 atm. membrane has been tested to stand up to 7 atm (1 atm = 101325 Pa).

**Control Comands** All start and stop operations are manually operated using levers 1 and 2 as illustrated in figure 1, page 9.

**Handling And Working Position** Press can be moved manually or if mounted on wheels pulled with tow handle. For lifting use pins on top handle. Use adequate rope according to weight of press.  
For installation and position of unit see chart herebelow with respective dimension of idropress models.

Model ⇒	Ø 400	Ø 450	Ø 500	Ø 550	Ø 700 basic.
height ( mm )	H 1000	H 1000	H 1230	H 1230	H 1400
width ( mm )	L 620	L 750	L 780	L 870	L 1000
depth ( mm )	L 640	L 750	L 810	L 960	L 1140

Tab. 2

Place unit on flat surface in order to avoid that it moves during working operations and that liquid pours out from basin.  
If press is mounted on wheels, block wheels before filling membrane

## Section 5 - instructions for use

<b>Loading Operations</b>	<ul style="list-style-type: none"><li>• Before starting to load connect water entry tube and discharge tube and fasten both with clamps.</li><li>• Fill cage and make sure to spread grapes uniformly.</li><li>• <b>It is very important that upper part of membrane be covered with grapes.</b> If quantity of grapes is not sufficient to fill cage use already pressed grapes and distribute in such a way that no empty spaces remain around membrane.</li><li>• Close press with cover and block well with lock and nut. Closing and opening operations are easier on models with the spring-loaded cover opening.</li></ul>
<b>Pressing Operations</b>	<ul style="list-style-type: none"><li>• Open water tap.</li><li>• Make sure that loading lever (fig. 1, lever 1) is open. Lever 1 must be in horizontal position. Discharge lever 2 must be closed in vertical position</li><li>• Loading lever 1 must be only opened slightly in order to fill membrane slowly so to allow for a better pressing of grapes.</li></ul>
<b>Final Operations</b>	<p>On Job Completion:</p> <ul style="list-style-type: none"><li>• turn lever 1 to vertical position to stop entry of water;</li><li>• open lever 2 to discharge water (horizontal position);</li><li>• wait till membrane is completely empty;</li><li>• remove cover opening;</li><li>• unload pressed grapes.</li></ul>
<b>Control Operations</b>	<p>After every three pressing operations control membrane flange bolts (pos. 15, 16, and 17) and make sure they are well tightened. Once in a while check all other bolts and screws..</p> <p>Above operation is very important in order to avoid loss of water and ensure correct pressure in membrane.</p>

**Water System  
Group**

The drawing herebelow shows how water system group is set up with all respective water entry and discharge levels (1-2) and pressure gauge manometer (3).

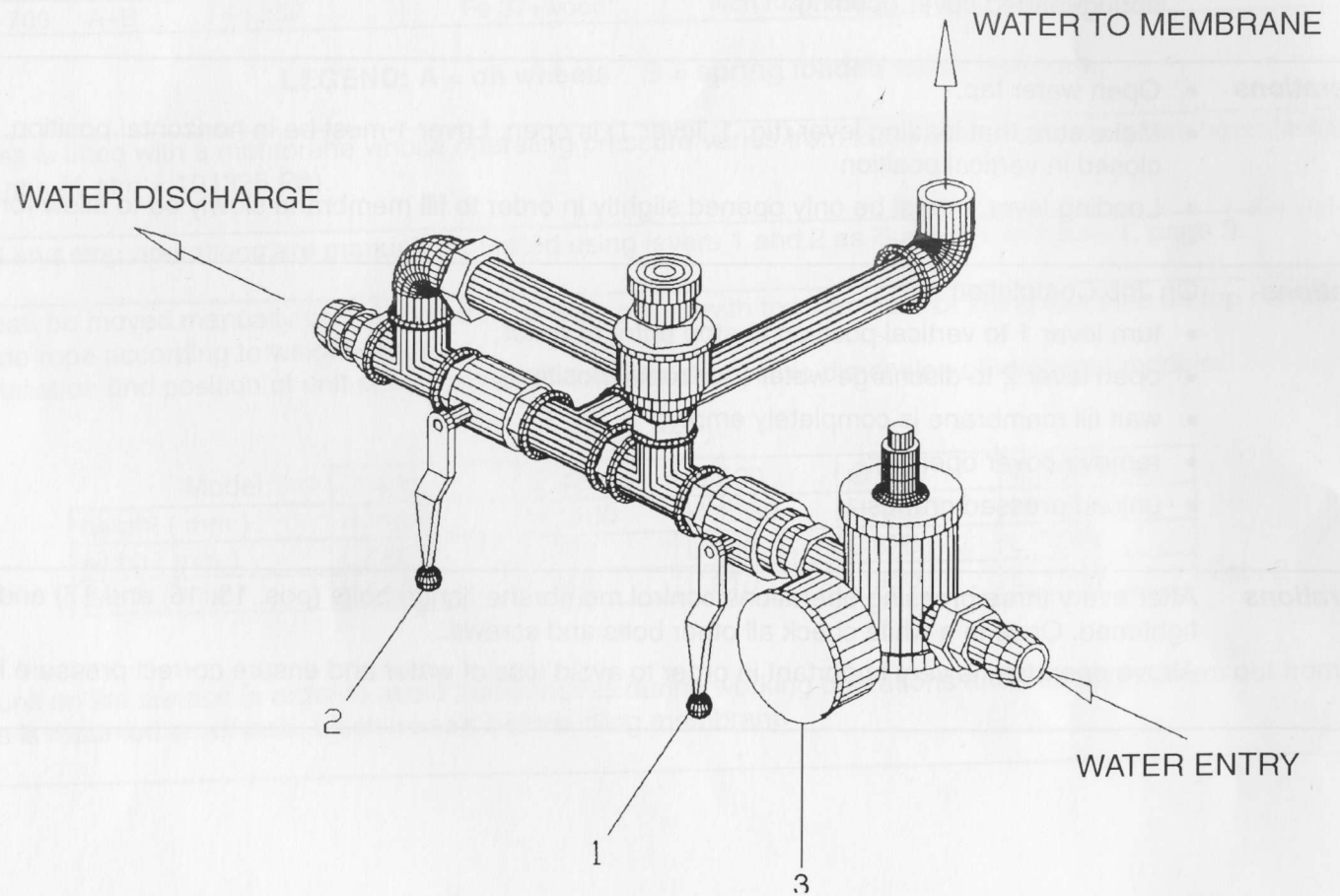


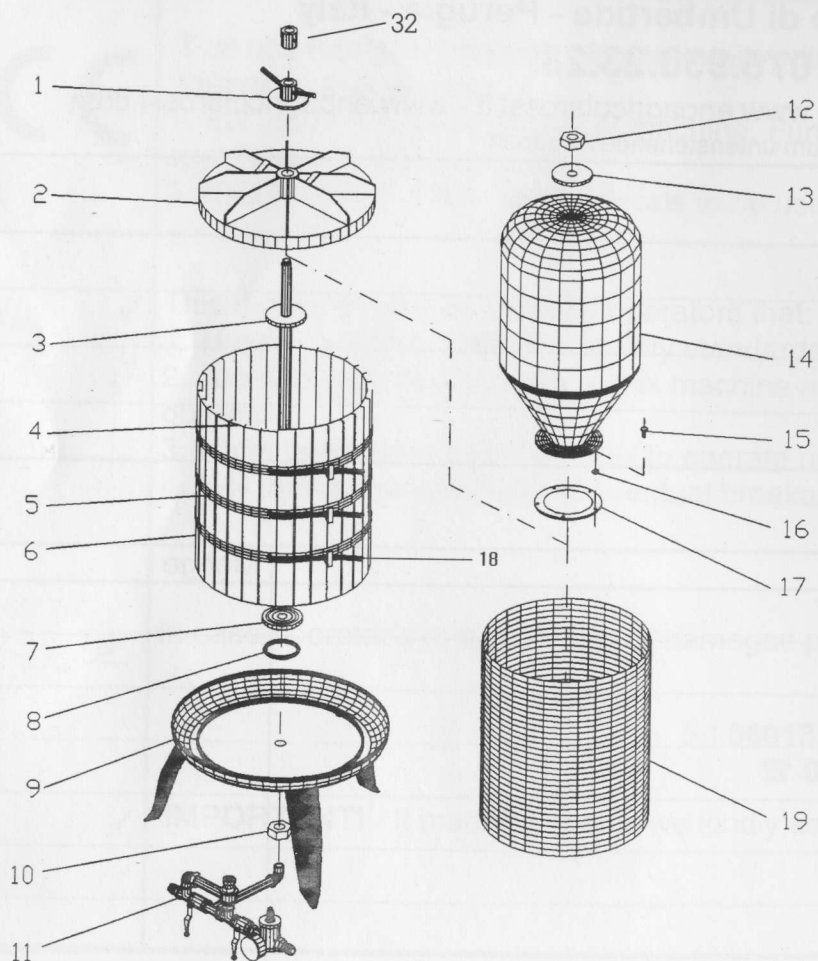
Fig. 1

## Section 6 - maintenance, preservation and precautions

<b>Maintenance Operations</b>	Before carrying out any type of maintenance operations make sure all water tubes are disconnected and that membrane completely empty.
<b>Spare Parts And Replacement</b>	<p>Safety valve and pressure reducing valve are calibrated by the supplier.</p> <p>In case of replacement ask for original parts and make sure that substitution be carried out by qualified and trained personell.</p> <p>Replacement of membrane can be carried out by owner. If membrane is punctured or begins to crack do not try to repair but replace complete membrane.</p> <p>All other parts can be easily be replaced by operator.</p>
<b>Preservation</b>	<p>Once you finished pressing operations wash membrane with luke warm water (40/50 °C ca.).</p> <p>When press is not in use store in cool environment, avoid exposure to sunrays and humidity in order to avoid damage to wood slats.</p> <p>We recommend to cover membrane with talcum powder to ensure longer life.</p>
<b>Precautions During Working Operations</b>	<p>Make always sure that cover is well blocked and nut well tighttened to avoid cover from coming off when membrane expands.</p> <p>This may cause damage to membrane and product.</p> <p>Never use press with cover open. If cover is open and membrane is filled with water this will damage membrane and reduce durability.</p>

## Sezione 8 - manuale dei ricambi

Tavola/Table/Abb. 1: 19010171 mod. Ø 400



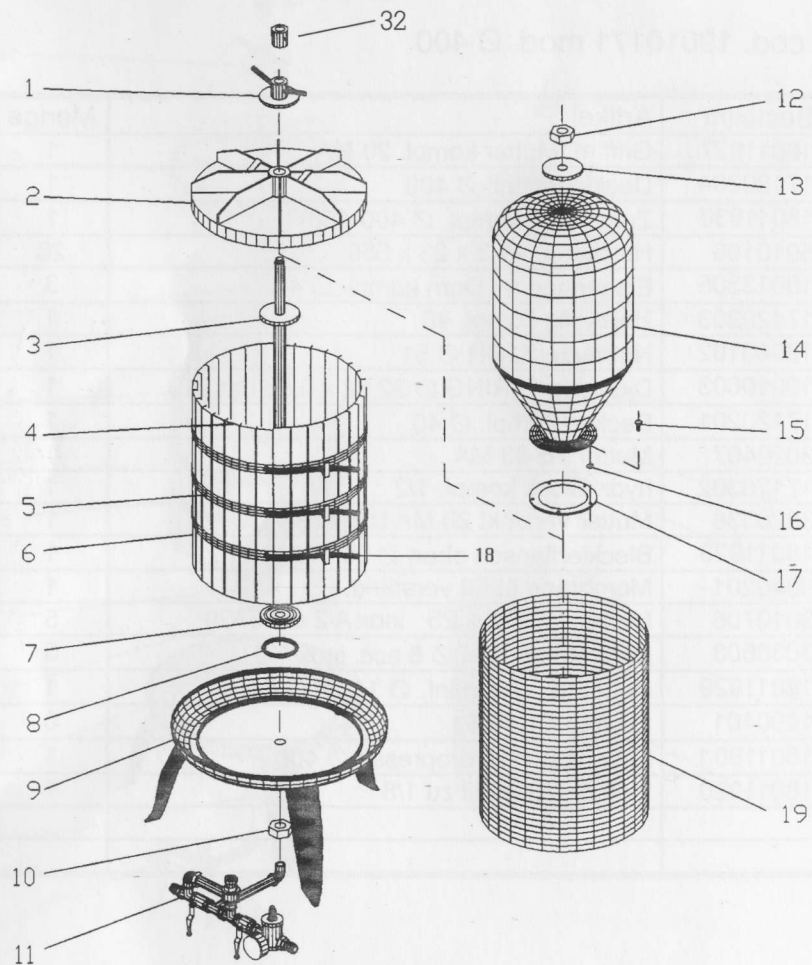
## Section 8 - spare parts

Table 1: cod. 19010171 mod. Ø 400

Pos.	Code	Description	G
1	18011927	Complete handle with nut 20 MA	
2	17120204	Cover Ø 400	
3	18011930	Complete tie rod mod. Ø 400-450	
4	5010106	Wood slats 41,3 x 23 x 550	
5	18013305	Steel loops Ø 40	
6	17120203	Complete basket cage 40	
7	12040102	O-ring nut Ø 51	
8	10010603	O-RING gaskets Ø 32,92 x 3,53 cat.219	
9	17120201	Complete basin Ø 40	
10	3020407	Nut TE 33 MA	
11	17120302	Water system group 1/2	
12	3020336	Zinc plated nut 20 MA UNI 5588	
13	18011928	Block flange support. Ø 90 Ø 21	
14	9040201	Reinforced membrane Lt 50 rinf.	
15	3010706	Stainless s. screw TE M 8 x 25 A 2 uni 5739	
16	3030603	Stainless s. washer Ø 8 A 2	
17	18011929	Lower fastening ring Ø 142 F Ø 84	
18	1090101	Latches for mod. Ø 40-45-50	
19	18011901	Internal plastic net Ø 400	
32	18011920	Air valve 1/8	

## Sezione 8 - manuale dei ricambi

Tavola/Table/Abb. 2: 19010172 mod. Ø 450



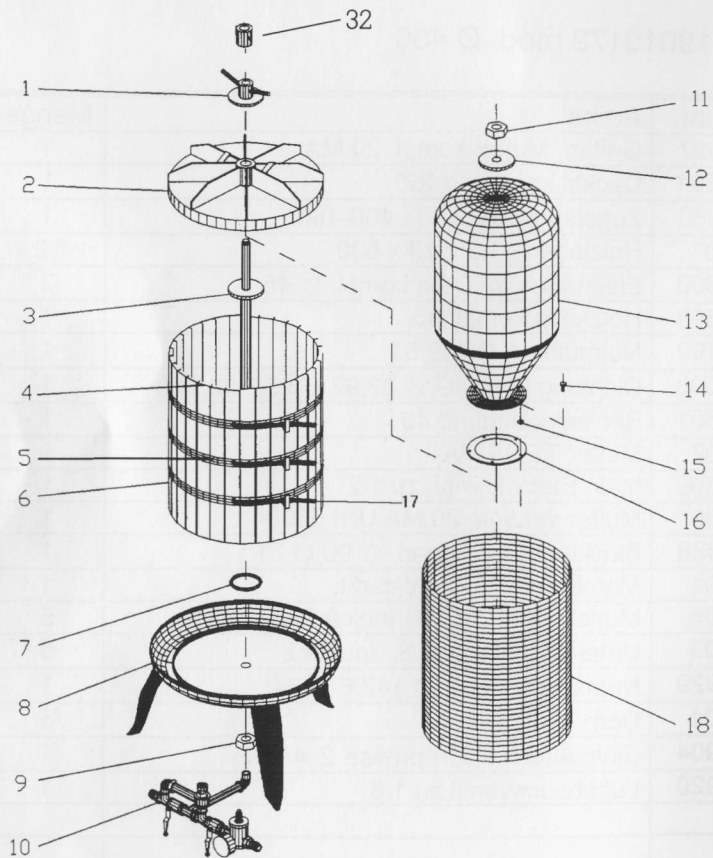
## Section 8 - spare parts

Table 2: cod. 19010172 mod. Ø 450

Pos.	Code	Description
1	18011927	Complete handle with nut 20 MA
2	17120504	Cover Ø 450
3	18011930	Complete tie rod mod. Ø 400-450
4	5010107	Wood slats 41,3 x 23 x 600
5	18013306	Steel loops Ø 45
6	17120503	Complete basket cage 45
7	12040102	O-ring nut Ø 51
8	10010603	O-RING gaskets Ø 32,92 x 3,53 cat.219
9	17120501	Complete basin Ø 45
10	3020407	Nut TE 33 MA
11	17120302	Water system group 1/2
12	3020336	Zinc plated nut 20 MA UNI 5588
13	18011928	Block flange support. Ø 90 Ø 21
14	9040201	Reinforced membrane Lt 50 rinf.
15	3010706	Stainless s. screw TE M 8 x 25 A 2 uni 573
16	3030603	Stainless s. washer Ø 8 A 2
17	18011929	Lower fastening ring Ø 142 F Ø 84
18	1090101	Latches for mod. Ø 40-45-50
19	18011904	Internal plastic net Ø 450
32	18011920	Air valve 1/8

# Sezione 8 - manuale dei ricambi

Tavola/Table/Abb. 3: 19010173 mod. Ø 500



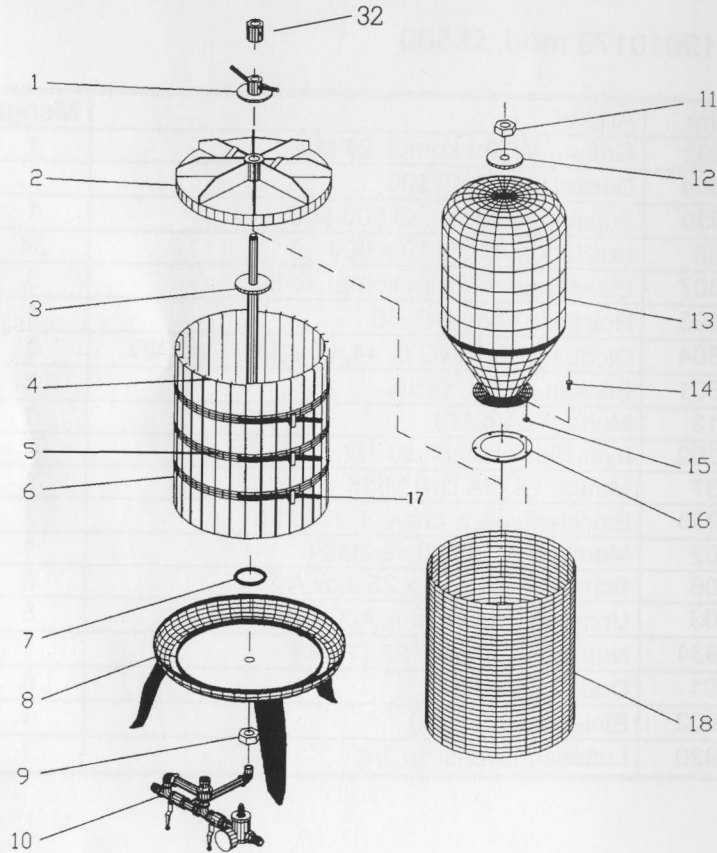
# Section 8 - spare parts

Table 3: cod. 19010173 mod. Ø 500

Pos.	Code	Description	Quantity
1	18011932	Complete handle with nut 24 MA	1
2	17120604	Cover mod. Ø 500	1
3	18011935	Complete tie rod mod. Ø 500-550	1
4	5010108	Wood slats 41,3 x 23 x 650	34
5	18013307	Steel loops Ø 50	3
6	17120603	Complete basket cage Ø 50	1
7	10010604	O-RING gaskets Ø 44,45 x 3,53 cat. 827	1
8	17120601	Complete basin Ø 50	1
9	3020413	Nut TE 45 MB	1
10	17120302	Water system group 1/2	1
11	3020337	Zinc plated nut TE 24 MA UNI 5588	1
12	18011933	Block flange support Ø 90 Ø 25	1
13	9040202	Reinforced membrane Lt 100	1
14	3010706	Stainless s. screw TE M 8 x 25 A 2	5
15	3030603	Stainless s. washer A 2 Ø 8	5
16	18011934	Lower fastening ring Ø 232 F.143	1
17	1090101	Latches for mod Ø40-45-50	6
18	18011902	Internal plastic net Ø 500	1
32	18011920	Air valve 1/8	1

## Sezione 8 - manuale dei ricambi

Tavola/Table/Abb. 4: 19010174 mod. Ø 550



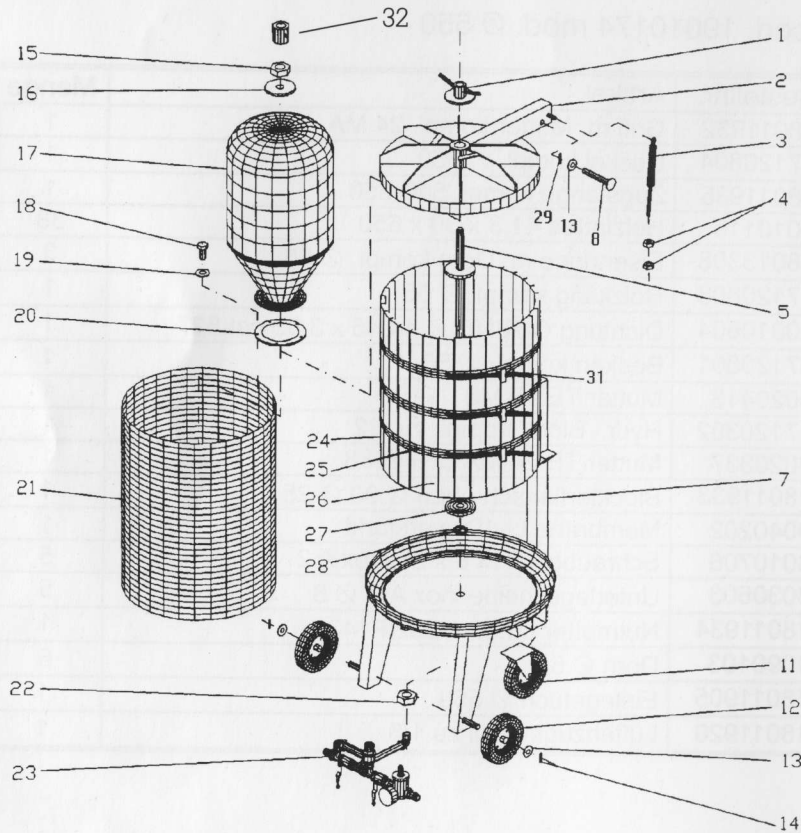
## Section 8 - spare parts

Table 4: cod. 19010174 mod. Ø 550

Pos.	Code	Description	Quantity
1	18011932	Complete handle with nut 24 MA	1
2	17120804	Cover mod. Ø 550	1
3	18011935	Complete tie rod mod. 500-550	1
4	5010115	Wood slats 41,3 x 30 x 650	38
5	18013308	Steel loops Ø 55	3
6	17120803	Complete basket cage Ø 55	1
7	10010604	O-RING gaskets Ø 44,45 x 3,53 cat.827	1
8	17120801	Complete basin Ø 55	1
9	3020413	Nut TE 45 MB	1
10	17120302	Water system group 1/2	1
11	3020337	Zinc plated nut TE 24 MA UNI 5588	1
12	18011933	Block flange support. Ø 90 Ø 25	1
13	9040202	Reinforced membrane Lt 100	1
14	3010706	Stainless s. screw TE M 8 x 25 A 2	5
15	3030603	Stainless s. washer A 2 Ø 8	5
16	18011934	Lower fastening ring Ø232 F143	1
17	1090103	Latches for mod Ø 55	6
18	18011905	Internal plastic net Ø 550	1
32	18011920	Air valve 1/8	1

## Sezione 8 - manuale dei ricambi

Tavola/Table/Abb. 6: 19010176 mod. Ø 700



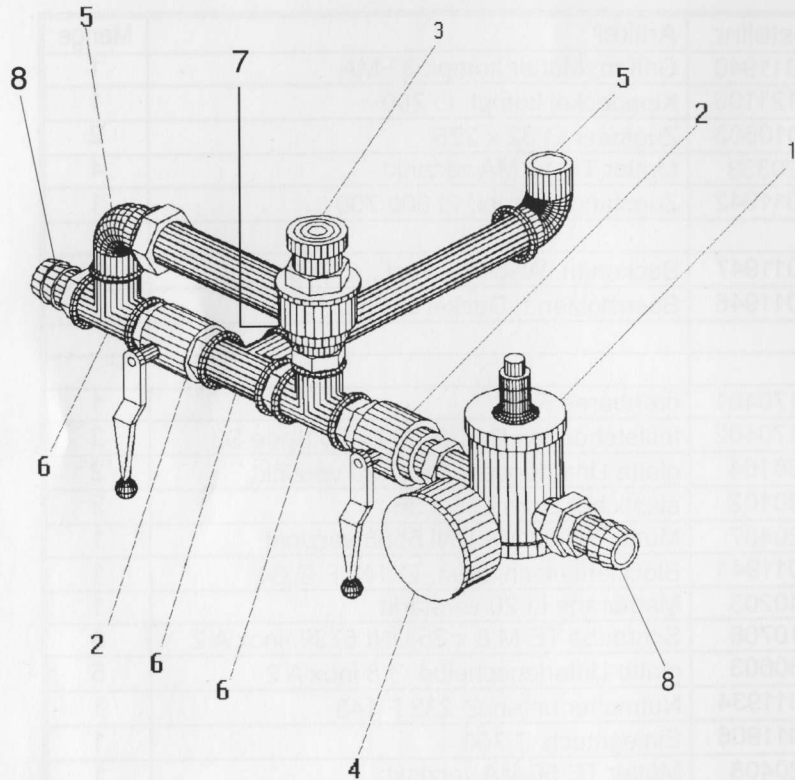
## Section 8 - spare parts

Table 6: cod. 19010176 mod. Ø 700

Pos.	Code	Description	Qua
1	18011940	Complete handle with nut 33 MA	
2	17121103	Spring loaded cover opening Ø 700	
3	11010503	Spring Ø 32 x 275	
4	3020333	Zinc plated nut TE 12 MA	
5	18011942	Complete tie rod Ø 600/700	
6			
7	18011947	Cover opening support Ø 700	
8	18011946	Cover block pin Ø 20 L 150	
9			
10			
11	12170401	Castor wheel	
12	12170402	Fixed wheel Ø 200 x 50 serie S3 cod.3106	
13	3030164	B. zincplated flat washer Ø 20	
14	3080102	Spring pin Ø 6 x 36	
15	3020407	Zincplated nut TE 33 MA UNI 5588	
16	18011941	Upper blocking flange. Ø 142 F Ø 34	
17	9040203	M:P: Reinforced membrane Lt 20	
18	3010706	Stainless s. screw TE M 8 x 25 UNI5739 A 2	
19	3030603	Stainless s. Flat washer Ø 8 A 2	
20	18011934	Lower fastening ring Ø 232 F 143	
21	18011906	Plastic net Ø 700	
22	3020408	Zincplated nut TE 56 MA	
23	17121002	Water system group 3/4	
24	17121104	Complete basket cage Ø 70	
25	18013311	Steel loops Ø 70	
26	5010112	Wood slats 44 x 35 x 850	
27	12040104	O-ring nut Ø 76	
28	10010605	O-RING gaskets Ø 53,34 x 5,34 cat.330	
29	3080103	B. spin Ø 6 x 40	
31	1090102	Latches for mod Ø 70	
32	18011920	Air valve 1/8	

## Sezione 8 - manuale dei ricambi

Tavola/Table/Abb. 7: 19010164 mod. Ø 400 450 500 550



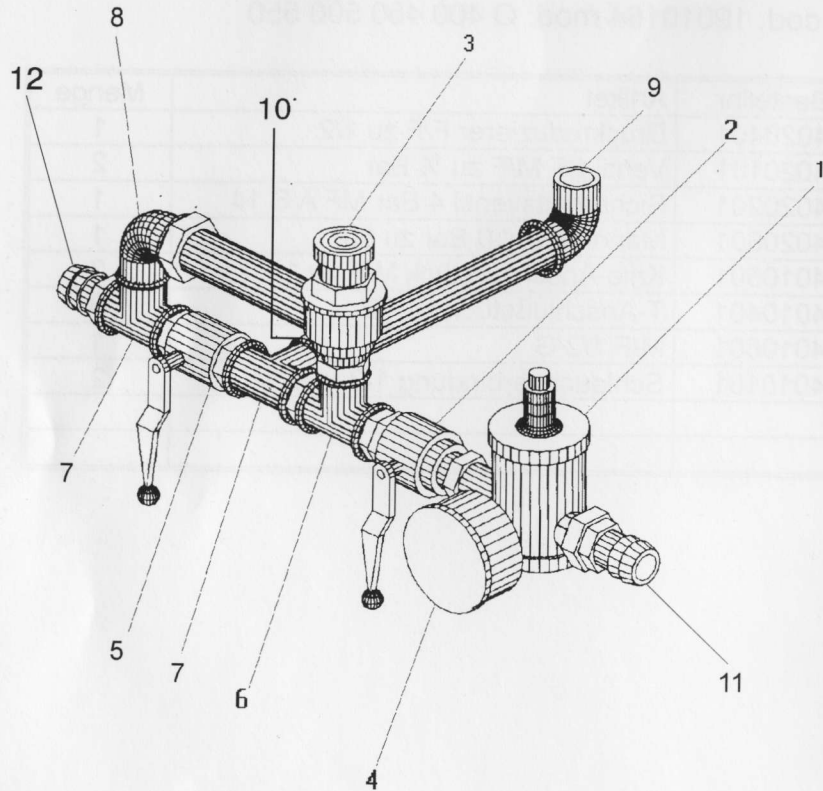
## Section 8 - spare parts

Table 7: cod. 19010164 mod. Ø 400 450 500 550

Pos.	Code	Description	Quantity
1	4020401	RU. pressure reducer. F/F 1/2	1
2	4020101	RU. valve SF M/F lever 1/2	2
3	4020201	RU. safety valve 4 BAR MF A S 14	1
4	4020601	RU. pressure gauge 10 BAR of 60	1
5	4010501	RA.elbow union M/F of 1/2	2
6	4010401	RA.TEE union of 1/2	3
7	4010601	Union M/F 1/2 G	1
8	4010101	Hose attachment 1/2 x 18 M	2
9			
10			

## Sezione 8 - manuale dei ricambi

Tavola/Table/Abb. 8: 19010177 mod. Ø 700



## Section 8 - spare parts

Table 8: cod. 19010177 mod. Ø 700

Pos.	Code	Description	Quantity
1	4020401	RU. pressure reducer F/F 1/2	1
2	4020101	RU. valve SF M/F lever 1/2	1
3	4020201	RU. safety valve 4 BAR MF A S 14	1
4	4020601	RU. pressure gauge 10 BAR of 60	1
5	4020102	RU. valve SF M/F lever of 3/4	1
6	4010401	RA. TEE union 1/2	1
7	4010402	RA. TEE union 3/4	2
8	4010501	RA. elbow union M/F 1/2	1
9	4010502	RA. elbow union M/F 3/4	1
10	4010602	Union M/F 3/4 G	1
11	4010101	Hose attachment 1/2 x 18 M	1
12	4010102	Hose attachment 3/4 x 25 M	1