

It is very important that the user's manual is read and kept with the machine for future reference.

Should the machine be sold, make sure that the user's manual is handed in to the new owner together with the machine so that the s/he can get acquainted with how the machine works.

Dimensions of capsules that can be used:

max. diameter: 40 mm

max. length: 65 mm

55 mm (per Bordeaux
bottles)

Bottle height: from 15 to 360 mm

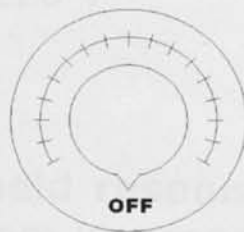
The machine should be exclusively used for heat-shrinking capsules on bottles by means of a resistance and should not be used for any other purposes.

ELECTRICAL CONNECTIONS

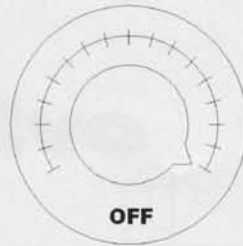
The electrical connection must be performed by a qualified electrician.

Use

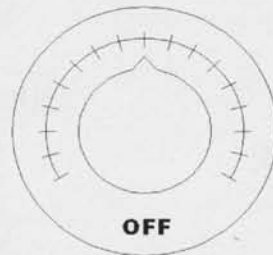
- Check that the power regulator is set to OFF;



- Introduce the machine plug in the power socket;
- For a quick heating, place the thermoregulator at the maximum position;



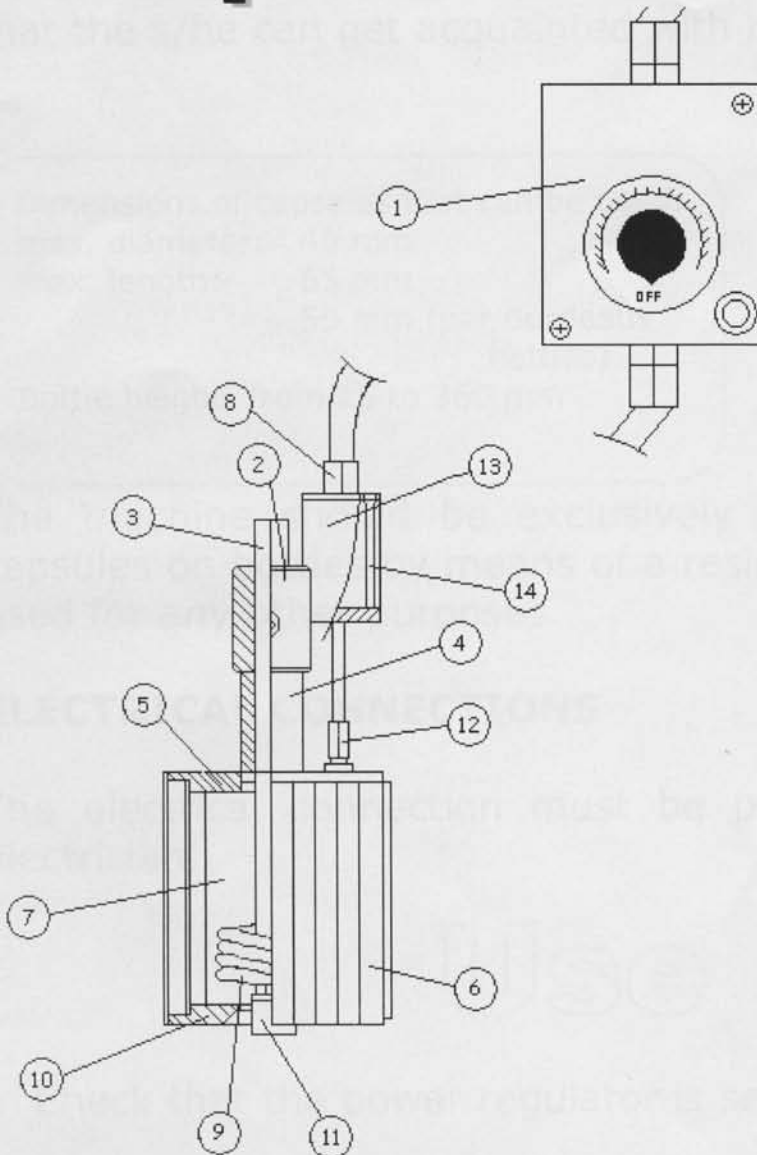
- Wait for 10 minutes and before beginning operations, set the regulator to the suitable position based on the thermal features of the capsules used.



Technical characteristics

- SHIELDED ELECTRIC RESISTANCE: 1200 W 220 V
- THERMOREGULATOR: 220 V

Compressivo



- | | | | |
|---|---------------------------------------|----|---|
| 1 | Scatola elettrica con termoregolatore | 9 | Resistenza |
| 2 | Peso asta centrale | 10 | Flangia inferiore |
| 3 | Asta centrale | 11 | Premicapsule |
| 4 | Boccola in bronzo | 12 | Raccordo fiss. resistenza 1/4 gas |
| 5 | Flangia superiore | 13 | Bicchiera in alluminio protezione elettrica |
| 6 | Carter alluminio | 14 | Vite TS M5x50 |
| 7 | Tubo interno inox | | |
| 8 | Raccordo per tubo in gomma PG11 | | |

TO.MAG