

INDEX

- 1) GENERAL INDICATIONS
- 2) IDENTIFICATION OF MACHINE COMPONENTS
- 3) MACHINE SYMBOLS
- 4) SAFETY STANDARDS
- 5) SETTING UP - INSTRUCTIONS FOR USE
- 6) ROUTINE MAINTENANCE
- 7) SPARE PARTS
- 8) GENERAL TERMS OF SALE

1) GENERAL INDICATIONS

First of all we thank you for buying one of our products. Our company has been fruit-processing equipment for many years, especially for processing apples to obtain juice and cider.

With its stainless steel blade (M, table 1), the Minimixer can also chop other types of fruit and vegetables, as long as they are without stones: pears, potatoes, carrots, etc.

The Minimixer is made entirely of stainless steel AISI 304 and runs with a 1.5 HP single-phase or three-phase electric motor. The Riddle (L, table 1) is interchangeable and may be replaced quickly; it may be supplied with holes with different diameters, depending on requirements.

Noise production: the noise produced by the Minimixer during operation is very low, much less than 70 dB.

IMPORTANT: the Manufacturers ZAMBELLI decline all responsibility for failure to respect the instructions given in our manual or improper use of the Minimixer. If you are not sure about any operation, ask the Manufacturer or authorized Dealer for advice.

2) IDENTIFICATION OF MACHINE PARTS

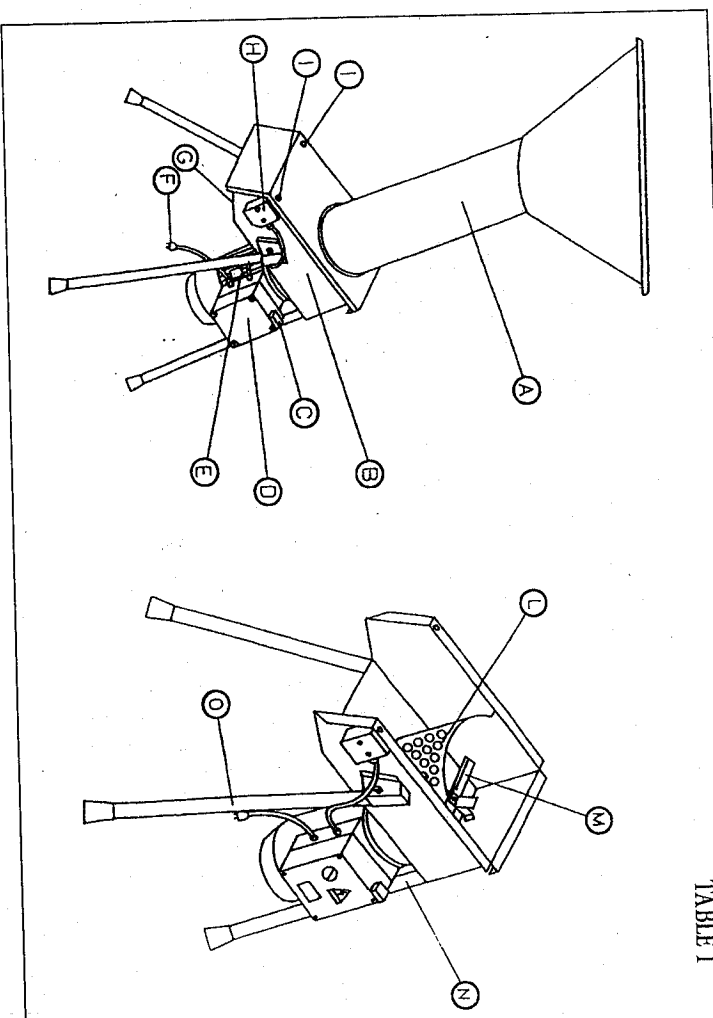
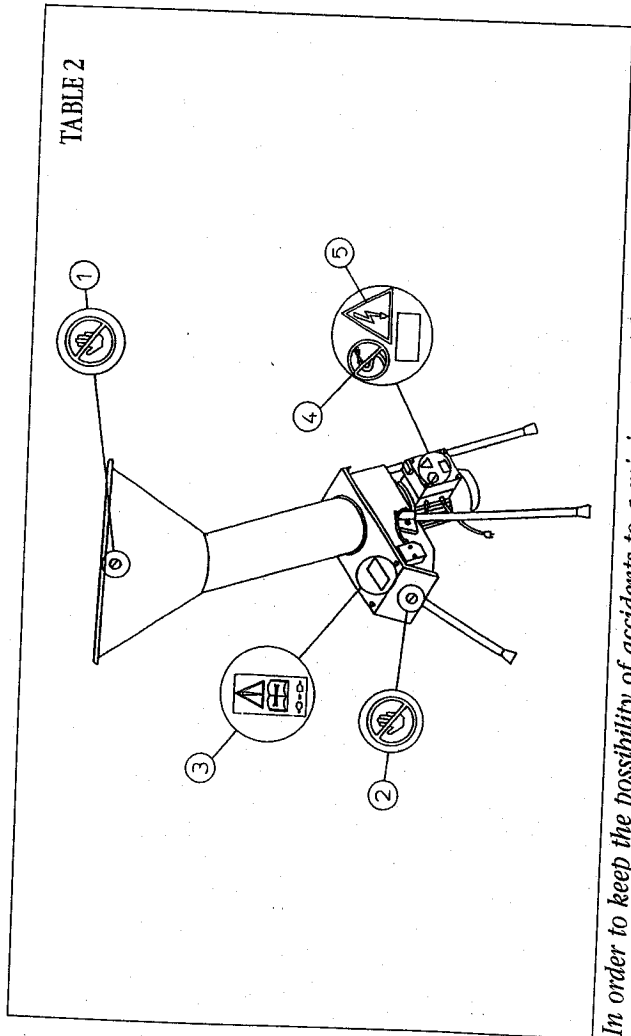


TABLE 1

- | | |
|----------------------------------|-----------------------|
| A) LOADING HOPPER | H) SAFETY MICROSWITCH |
| B) BLADE HOUSING | I) MICROSWITCH BOLT |
| C) SWITCH | L) RIDDLER |
| D) ELECTRIC MOTOR | M) BLADE |
| E) MOTOR DATA PLATE | N) REAR LEG |
| F) MOTOR CABLE AND ELECTRIC PLUG | O) FRONT LEG |
| G) PRODUCT UNLOADING MOUTH | |

3) MACHINE SYMBOLS



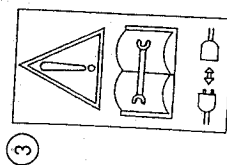
In order to keep the possibility of accidents to a minimum, stickers have been applied on the Minimixer to indicate any danger spots, inviting the operator to read the instructions manual carefully.



This symbol forbids the operator to put his hand inside the loading hopper (A)



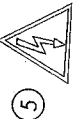
The operator is forbidden to put his hand into the product unloading mouth (G) below this symbol.



This symbol invites the operator to pay attention and to read the instructions manual before opening the hopper (A), slackening the nuts (I) with a spanner. Although a safety microswitch (H) is fitted which cuts off the current, before slackening the two bolts it is obligatory to remove the motor plug (F) from the socket.



It is forbidden to wet the motor (D) with any liquid.



This symbol indicates that the machine is live and states the type of voltage in the motor.



Indicates the direction of rotation of the motor.

4) SAFETY STANDARDS

Improper use and maintenance may cause damage to persons and things. To avoid possible accidents, carefully follow these safety standards.

1) INSTRUCTIONS: read the manual carefully before using our machine. If you lose the manual you can order another copy from:

ZAMBELLI ENOTECH srl

2) USE: do not allow the Minimixer to be used by children, unauthorized persons, or persons who do not know how to use it.

3) POSITIONING: the machine must be placed on a dry level floor, out of the reach of children.

4) ELECTRICAL CONNECTION: before each use, always check that the electric cables are unbroken; if signs of breaking or rubbing are found, change the cable. do not allow tools or machines that could irreparably damage the cable to pass over it.

- do not lay the power cables on wet or muddy ground;

- switch, sockets and plugs must be protected against damp;

- always used cables with an earth socket.

- before making any connection, always check the mains voltage which must be the same as that indicated on the data plate of the motor (D).

- the electric system in the house must be provided with a differential life-saving system and magnetothermal switch, so as to ensure personal safety in the event of any fault.

- keep children or irresponsible people away from the electrical parts.

5) AVOID: it is best to avoid external contact between the motor and any type of liquid.

6) MOTOR MALFUNCTION: in the event of breakdown or malfunction of the electric motor, the operator must never dismantle it but must contact the dealer or manufacturer.

7) IT IS FORBIDDEN: to put your hands into the hopper (A) or into the product unloading mouth (G).

8) IT IS OBLIGATORY: to disconnect the motor plug (F) from the socket before removing the loading hopper (A).

5) SETTING UP - INSTRUCTIONS FOR USE

- 1) **CLEANING:**
before starting work it is advisable to clean the Minimixer accurately, being careful not to wet the motor.
- 2) **CURRENT:**
check that the current voltage shown on the motor data plate (E) is the same as the voltage in your home.
- 3) **SWITCHING ON:**
press the button (C) on the motor box (D). When the motor is switched on the blade (M) starts.
- 4) **THREE - PHASE:**
on three-phase motors the blade turns in an anti-clockwise direction; check this by looking in from the top of the hopper.
- 5) **CONTAINER:**
place a container under the unloading mouth (G) to catch the product.
- 6) **PROCESSING:**
feed the product to be processed into the hopper (A); it will be chopped inside the box (B) by the blade (M). The chopped pieces of product come out through the riddle (L) and are collected in the container.
- 7) **WARNING:**
when the machine is operating it is advisable to keep away from the end of the core, so as to prevent any splashes of product from striking your face or hands.

6) ROUTINE MAINTENANCE

After using the Minimixer, clean every part of it accurately, being careful, not to wet the motor. Put it away in a dry place, protected from dust and damp.

7) SPARE PARTS

- 1) LOADING HOPPER
- 2) BLADE RETAINING BOLT 8x20 MA
- 3) STIRRING BLADE
- 4) PROPELLER BLADE
- 5) IMPELLER
- 6) MOTOR RETAINING BOLT 8x20 MA
- 7) CASING
- 8) LEG RETAINING BOLTS 6x40 MA
- 9) SELF-LOCKING NUT 6 MA
- 10) MOTOR SHAFT OIL SEAL 20x40x7
- 11) SWITCH
- 12) REAR LEG
- 13) ELECTRIC MOTOR
- 14) MOTOR PLUG
- 15) MICROSWITCH CONNECTING CABLE
- 16) BOLTS 4x30 MA
- 17) MICROSWITCH STAINLESS STEEL PROTECTION
- 18) MICROSWITCH HOUSING
- 19) WATERIGHT MICROSWITCH
- 20) FRONT LEG
- 21) SELF-LOCKING NUT 4 MA
- 22) RIDDLE
- 23) BOLT FOR MICROSWITCH 8x18 MA
- 24) BOLT 8x12

