

St. Patrick's of Texas

www.StPats.com

Instructions for Champagne Foiler

1. Fix the machine firmly on a table through the proper clamps equipped with.
2. Connect the compressed air to the reduction gear n. 7 and adjust the pressure lifting the handle and rotating it clockwise to increase the pressure and counterclockwise to decrease the pressure.

NORMAL USE PRESSURE 4 - 5 ATM.

3. Now press the handle to block it.
4. Manually put a capsule on the bottle and introduce the bottle into the first 4 slots heads (n. 5) and press thoroughly.
Automatically the compressed air will be opened obtaining the blowing of the rubber head and the first capsule packaging with the first 4 pleats.
5. Wait some seconds, take out the bottle from the head n. 5 and, keeping the bottle in the same position (without turning it) introduce it into the head n. 6 making the same operation.
The second head will turn over the four pleats in order to obtain the complete finishing of the capsule.

WARNING: The heads must be pressed only when the bottle has already been introduced.
If, by mistake, they are pressed manually without the bottle, the rubber piece (after a little explosion) will go out, without breaking, from its place.
To let the head working again, it is enough unscrewing the 6 screws that are blocking the seal, replace the rubber part and block everything again. The machine can now working perfectly.

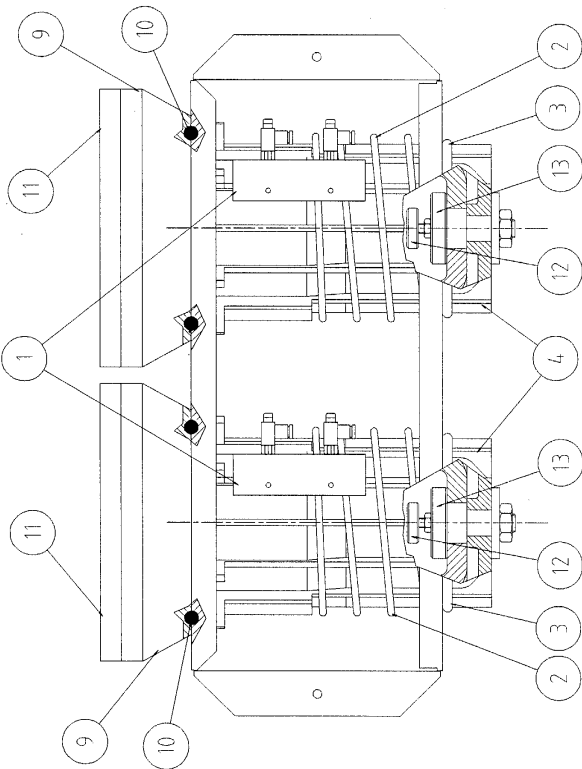
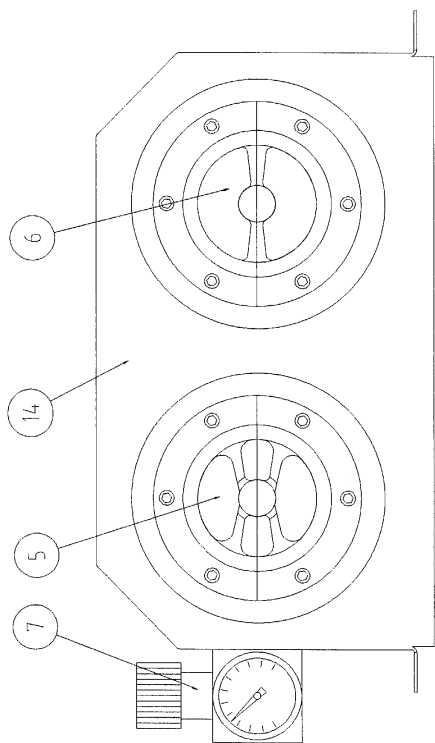
Standard Champagne Foiler Parts

Rif. (1)	Valvola	codice	0604018
Rif. (2)	Molla	codice	0701/019
Rif. (3)	Anello O.R.	codice	0214/004
Rif. (4)	Campana	codice	1105003
Rif. (5)	Membrana 4 pieghe	codice	1002002
Rif. (6)	Membrana 2 pieghe	codice	1002001
Rif. (7)	Gruppo regolatore	codice	0601004
Rif. (8)	Flangia campana	codice	1105002
Rif. (12)	Riferimento	codice	1002017
Rif. (13)	Perno porta campana	codice	113112B008
Rif. (14)	Carter	codice	1105001

Magnum Champagne Foiler Parts

Rif. (1)	Valvola	codice	0604018
Rif. (2)	Molla	codice	0701/019
Rif. (3)	Anello O.R.	codice	0214/004
Rif. (4)	Campana	codice	1105003
Rif. (5)	Membrana 4 pieghe Magnum	codice	1002006
Rif. (6)	Membrana 2 pieghe Magnum	codice	1002005
Rif. (7)	Gruppo regolatore	codice	0601004
Rif. (9)	Adattatore	codice	1001051
Rif. (10)	Anello O.R. Magnum	codice	0214/005
Rif. (11)	Flangia campana Magnum	codice	1105002A
Rif. (12)	Riferimento	codice	1002017
Rif. (13)	Perno porta campana	codice	113112B008
Rif. (14)	Carter	codice	1105001

MAGNUM



STANDARD

