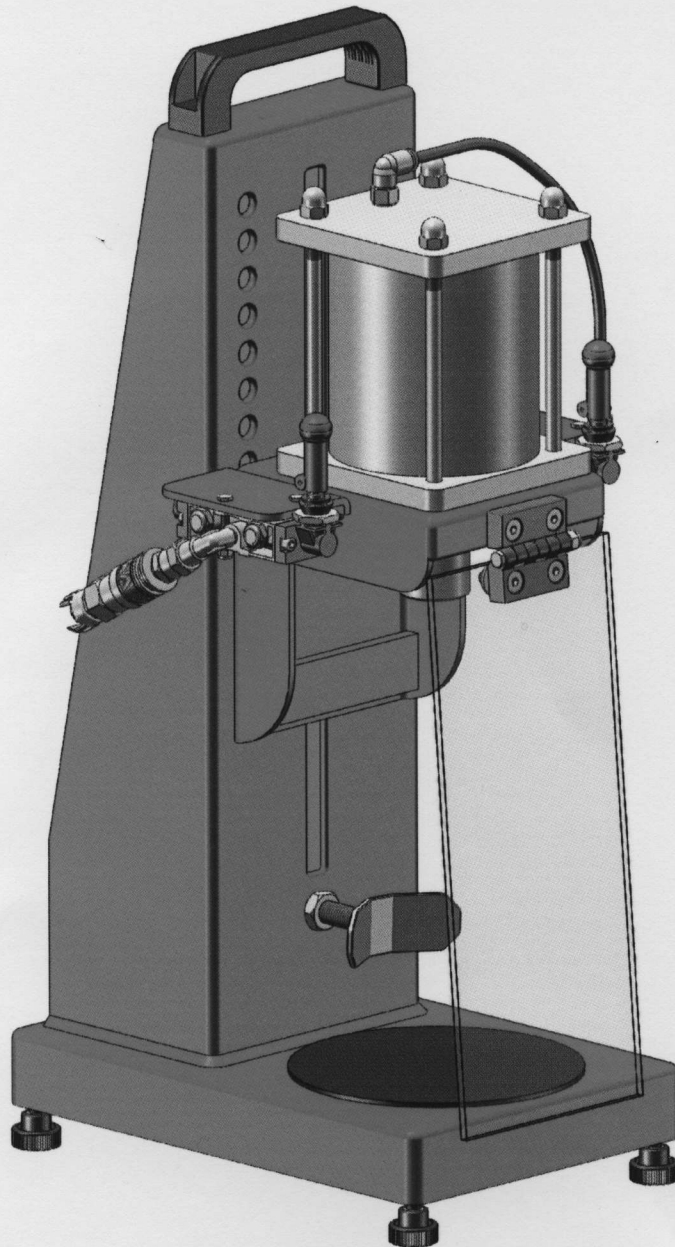


Manual use and maintenance
CROWN-CAPS CORKER
“AIR-MATIC”



ZAMBELLI ENOTECH s.r.l.

Via dell' Artigianato Z.A. - 36043 Camisano Vicentino - VI - Italy

tel. 0444-719402 fax 0444-719423

www.zambellienotech.it info@zambellienotech.it

INDEX

- 1) GENERAL INDICATIONS
- 2) IDENTIFICATION OF THE MACHINE COMPONENTS
- 3) MACHINE IDENTIFYING EQUIPMENT
- 4) SAFETY STANDARDS
- 5) SETTING UP – INSTRUCTION FOR USE
- 6) SPARE PARTS
- 7) GENERAL TERMS OF SALE

1) GENERAL INDICATIONS

First of all we thank you for buying one of our products. Our company is manufacturing wine-producing and grape-processing equipment for small and medium size wineries since 1888.

When creating our items, we always try to ensure they are practical and safe to use, of good quality and long lasting; to keep them this way, please read the manual carefully.

L'Air-Matic is a crown-caps corker for crown caps Ø26 and Ø29 and for plastic mushroom corks; it's adjustable in height, with the possibility to cork small, medium and big bottles. The models of corking machine are manufactured in painted version or in stainless steel.

IMPORTANT:

The Manufacturer Zambelli Enotech declines all responsibility for failure to respect the instructions given in our manual or improper use of the machine. If you are not sure about some operation, ask the Manufacturer or authorized Dealer for advice.

2) IDENTIFICATION OF THE MACHINE COMPONENTS

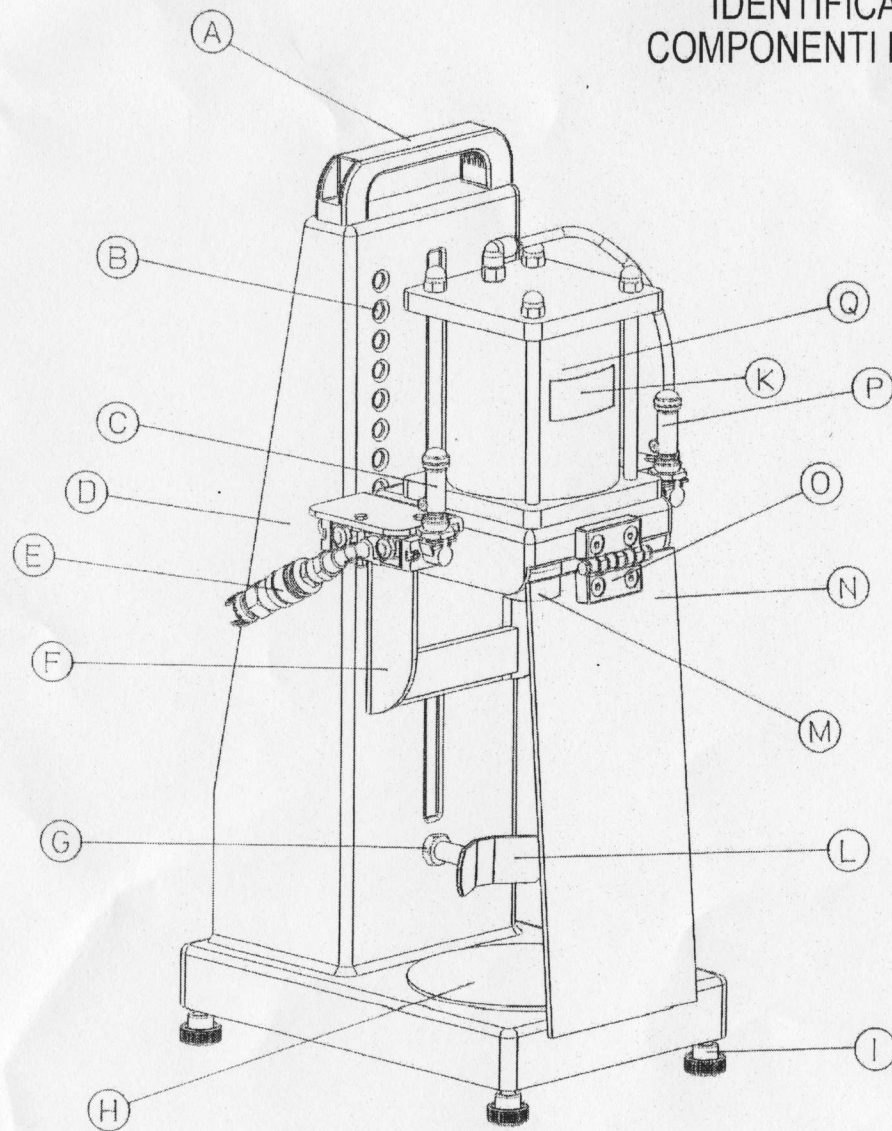
- A) HANDLE
- B) HOLES FOR INSERTION ADJUSTABLE IN HEIGHT
- C) LEFT LEVER
- D) FIXED BODY
- E) AIR-COMPRESSED CONNECTION
- F) MOBILE HEAD
- G) HOLDER BOTTLE
- H) LEVEL OF SUPPORT
- I) RECORDABLE FEET
- K) IDENTIFYING LABEL
- L) BOTTLE HOLDER
- M) CORKING HEAD
- N) PLEXIGLASS PROTECTION
- O) PLEXIGLASS HINGE
- P) RIGHT LEVER
- Q) PNEUMATIC CYLINDER
- R) GRIP HANDLE IMPLANTATION HOLDER BOTTLE
- S) GRIP HANDLE BLOCKING HEAD (F)
- T) GRIP HANDLE BLOCKING HEAD (F)

3) MACHINE IDENTIFYING EQUIPMENT

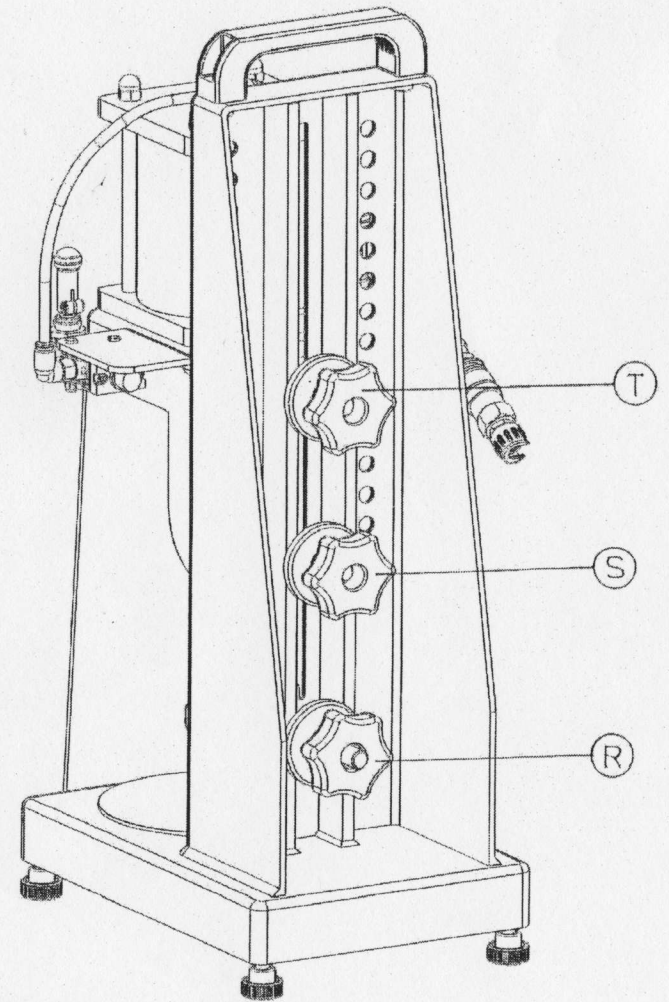
In order to keep the possibility of accidents to a minimum, inviting the operator to maintain MAX 5 atmosphere pressures for crown cap and to MAX 3 atmosphere for plastic mushroom corks. Therefore, inviting the operator to maintain the pressures indicated in the adhesive label (K).



IDENTIFICAZIONE
COMPONENTI MACCHINA



PARTE FRONTALE



PARTE RETRO

4) SAFETY STANDARDS

Improper use and maintenance may cause damage to person or things. To avoid possible accident, carefully follow the safety standards:

- 1) INSTRUCTION MANUAL: If you lose the manual you can order any another copy from "Zambelli Enotech srl" via dell'Artigianato 36043 – Camisano Vicentino (Vi) Italy tel. 0444/719402 - fax. 0444/719423 e-mail info@zambellienotech.it
- 2) USE: do not allow use of the corking machine by children, unauthorized persons, or persons who do not know how to use it.
- 3) MOVEMENTS: happens in sure way appealing the corking machine through the handle (A)
(La maniglia viene fornita smontata dentro la confezione.)
- 4) POSITIONING once arranged the corking machine on one level surface, you will proceed to eventual levelling of the same one regulating the feet (I) in case the corking machine was not perfectly supporting on all 4 feet.
- 5) CONNECTION COMPRESS AIR
regulate the compressor of gauge on the pressure indicated on adhesive (K) places on the cylinder(Q).
Connect the hose of entrance from the compressor to the connection (E) of the corking machine.
At this point try to action the corking machine when empty pulling at the same time the two levers (C) and (P) to be sure of all results in order.

5) SETTING UP – INSTRUCTION FOR USE

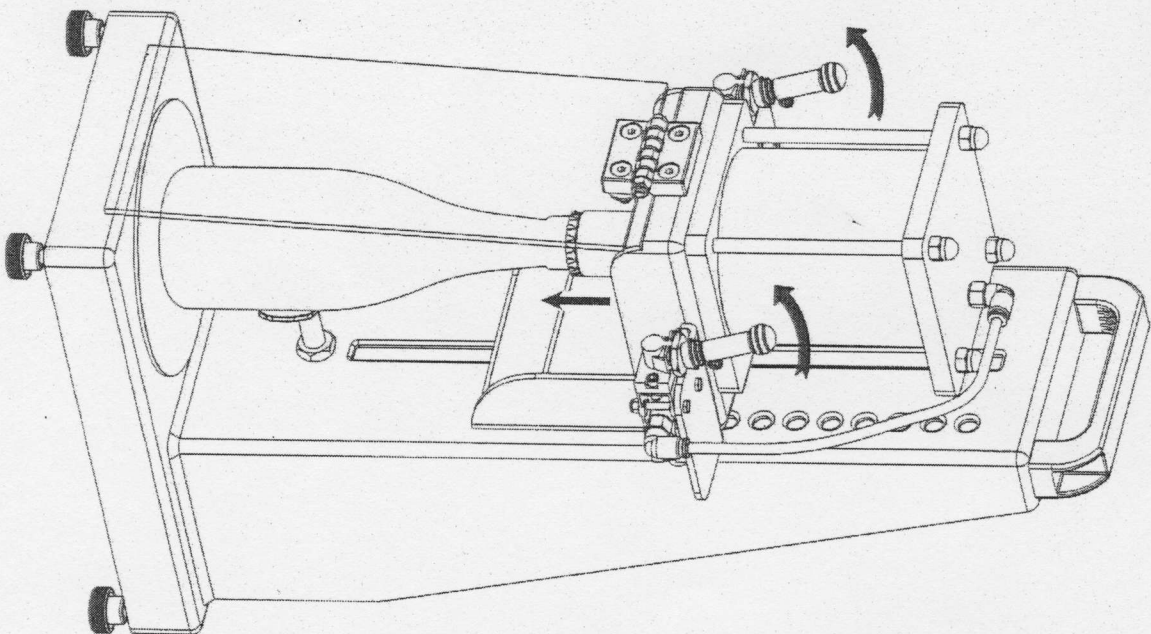
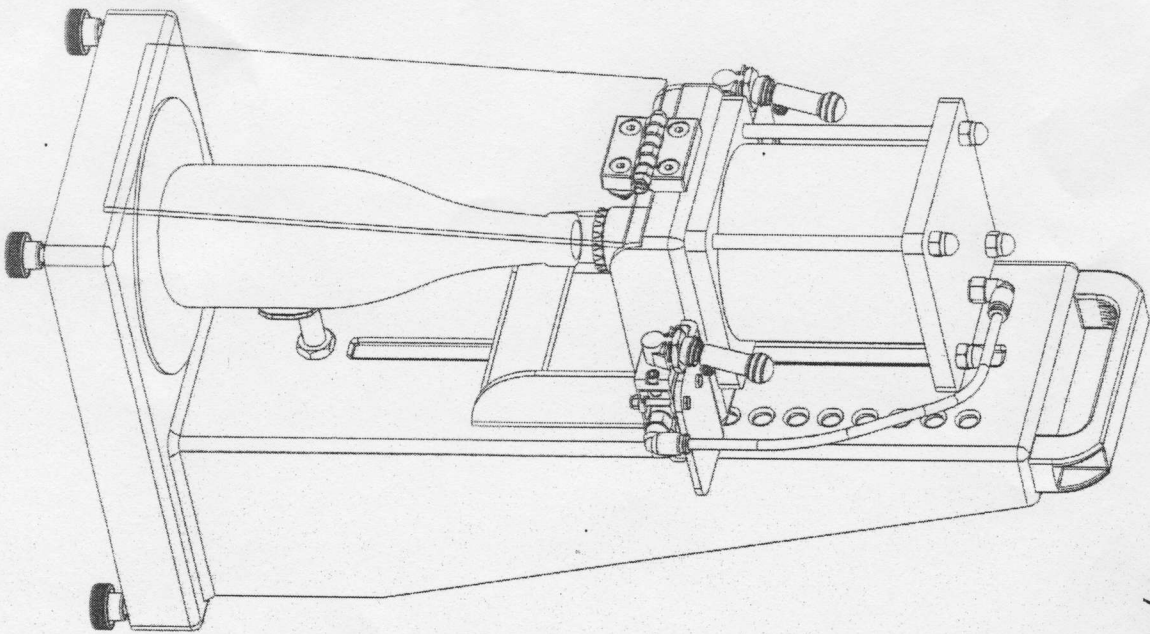
- 1) PROTECTION
the protection (N) must be in vertical position towards down, if it results too much loose, clasp the dice places on the hinge. (O)
- 2) POSITIONING
comply with the instructions already indicated in the safety standards.
- 3) OPERATIONS
CORKING
regulate the gauge (see the safety standards), at this points must be regulated the mobile head (F) in the appropriated position to second to the height of bottle, leaving trough the top of bottle and bell one space of 2/4 cm approximately.
- 4) MOBILE
HEAD REGULATION
unscrew partially the pins (T) and (S) and then move the head (F) up or down depending on the requirement, insure that the pins places on the head (F) goes perfectly on the holes for insertion (B). Therefore proceed to block the pins (T) and (S).
- 5) HOLDER
BOTTLE REGULATION
regulate the header then proceed to center the bottle, in case the neck of bottle was not perfectly aligned with the bell(M).
For make this, unscrew partially the pin (R) and then regulate the "BOTTLE HOLDER" (L) loosening before the dice (G), block all with the pin (R)
- 6) CORKING CROWN
CAP
position the cap under the bell (M).
This last one will remain connected by means of the magnet place on it; position the bottle and pulling at the same time the two levers (C) and (P).
At the end of the corking release the two levers; repeat the operation for everyone bottles.
- 8) REPLACE THE CORKING
HEAD
unscrew the corking head (M) in clockwise and screwing that one in substitution in anticlockwise.

9) EVENTUAL CORKING FOR
PLASTIC MUSHROOM
CORKS

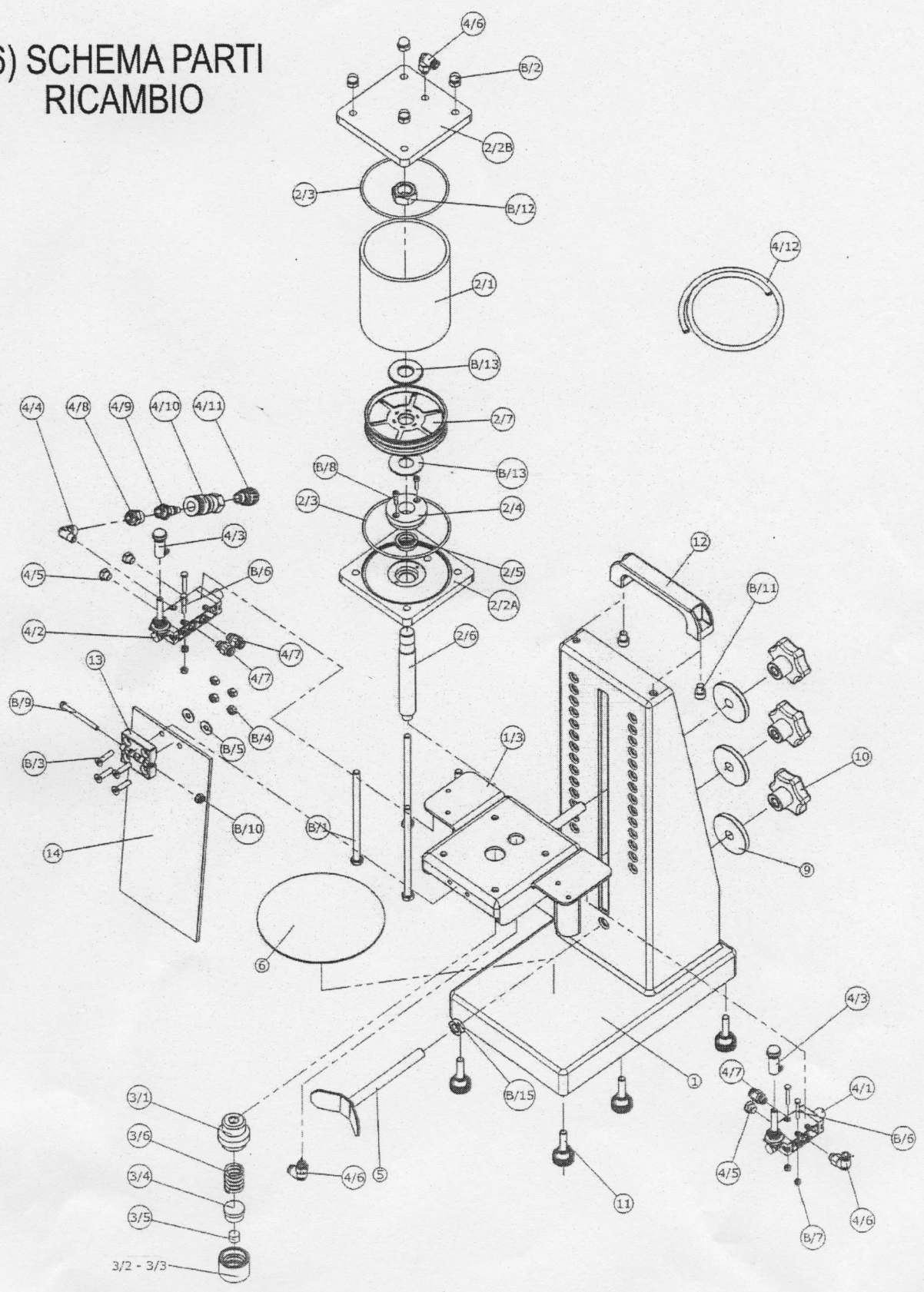
position the cap in vertical position on the mouth of the bottle, pressing it slow. Centring perfectly the bottle with the corking head (M), assured that there is a correct space trough the top of the cap and corking head (approximately 2 cm) .

Then, you will proceed to corking, pulling at the same time the two levers (C) and (P) .

5) SCHEMA DI LAVORO



6) SCHEMA PARTI RICAMBIO



7) GENERAL TERMS OF SALE

TRASPORT

at the buyer's expense

COMPLAINTS: no complaints are accepted more than eight days after receipt of the goods and no returns are accepted unless authorized by us and sent carriage paid. The goods travel at the Customer's own risk.

RESERVES:

we do not accept responsibility for breakages or damage due to applications or uses other than those for which the goods are intended, nor for use not complying with their capacity and flow rate.

The guarantee does not cover malfunctions and faults due to wear of parts that are, on account of their nature, subject to wear, or in cases where the parts have been dismantled, tempered with or repaired outside our premises.

GUARANTEE:

our products are accurately tested, inspected and guaranteed for 12 months from delivery. Our responsibility is limited to the replacement of any parts that may be found to be faulty after careful examination on our premises or on the Customer's premises, charging transport and labour costs.

DISPUTES:

the competent court is the Court of Vicenza.

TECHINICAL DATA:

the data provided in this manual are for the purpose of information and are not binding. The company reserves the right to make alterations to production without prior notice.