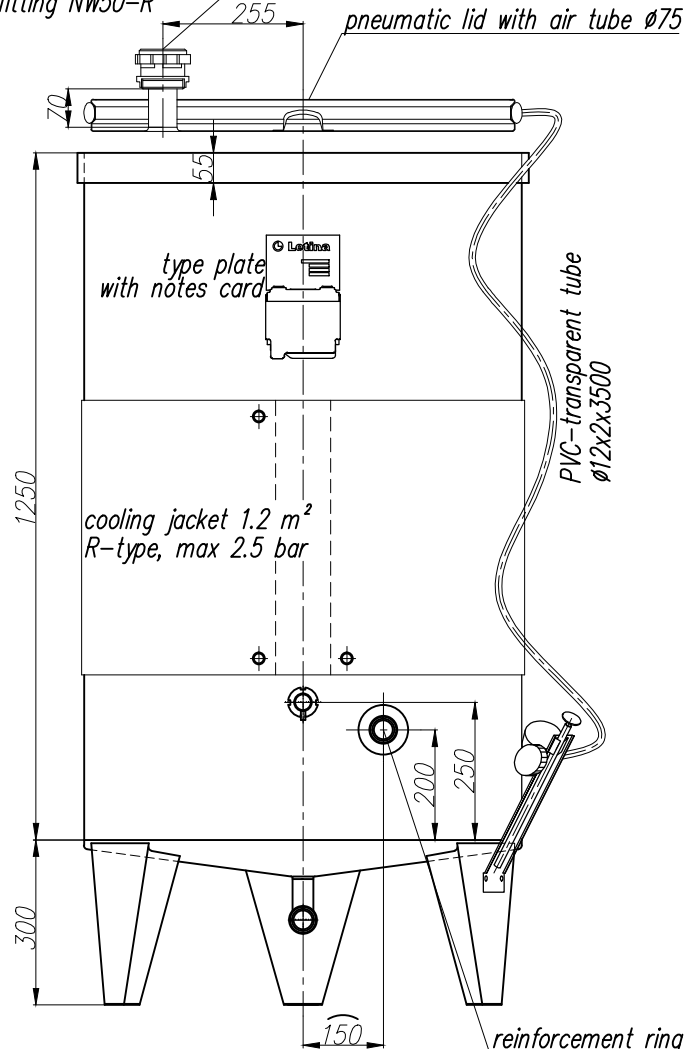


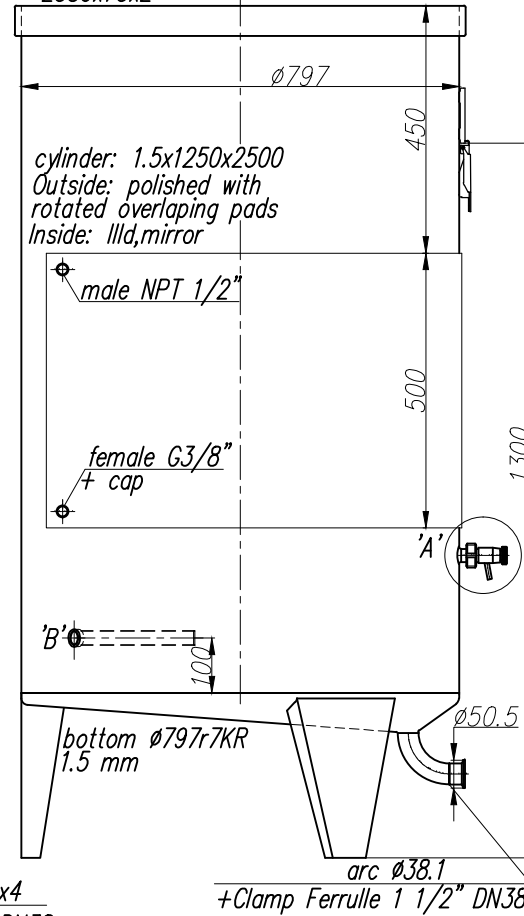
air valve DN50, SVS 211
+ fitting NW50-R



3 pcs legs 300 $\phi 797r7KR$
1.5 mm, open

reinforcement ring $\phi 90 \times 4$
+Clamp Ferrulle 1 1/2" DN38

edge reinforcement
2580x75x2



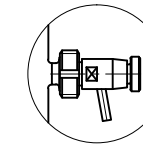
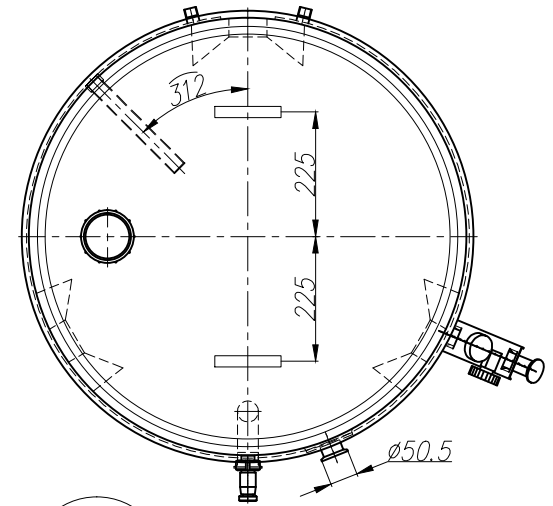
cylinder: 1.5x1250x2500
Outside: polished with
rotated overlapping pads
Inside: Illd, mirror

male NPT 1/2"

female G3/8"
+ cap

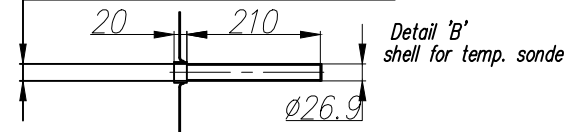
bottom $\phi 797r7KR$
1.5 mm

arc $\phi 38.1$
+Clamp Ferrulle 1 1/2" DN38



Detail 'A'
sample tap DN15, CAE
with DIN11851 DN15 union

NPTF female thread 3/4"



Detail 'B'
shell for temp. sonde

Var. 2
Please verify a drawing!

Price: (EUR/piece)	
Quantity:	15
Date of delivery:	31.12.2011.
P.O. number:	P-2011-01961

		Godina: 2011.	Datum: 10.11.	Ime: M. Vinko	Potpis:	
Radni nalog: 124011_St.Patricks	Materijal: W.Nr.1.4301 Illd	List: Listova:	Konst: 10.11.			<small> Lelitima d.o.o. ul. Nova Gorica 20 SI-5000 Novo mesto Tel: +386 0 700 20 00 Fax: +386 0 700 20 01 e-mail: info@lelitima.com http://www.lelitima.com/ </small>
Mjerilo:	Stroj: Tank PZP620H8	Artiki br.: 1101-001241				

Pridržavamo pravo izmjena.