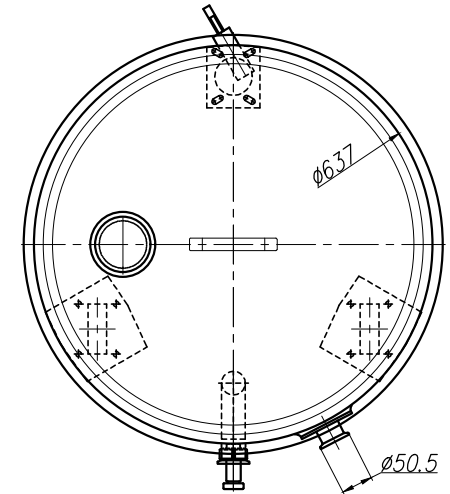
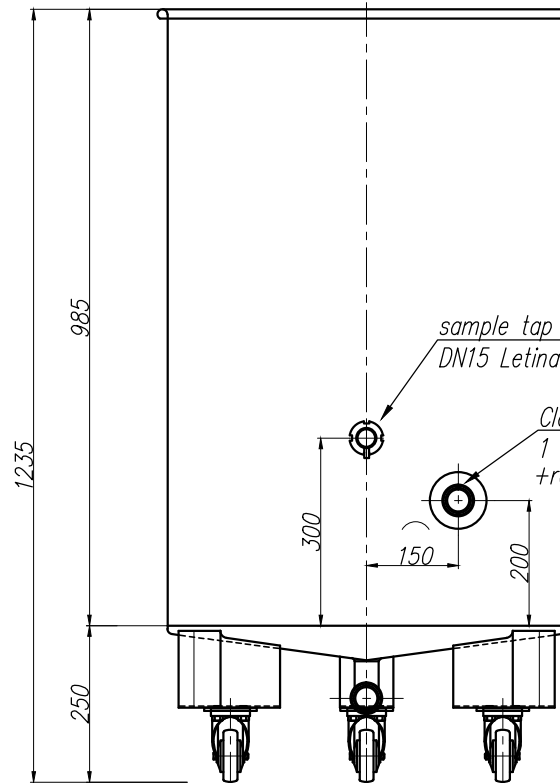
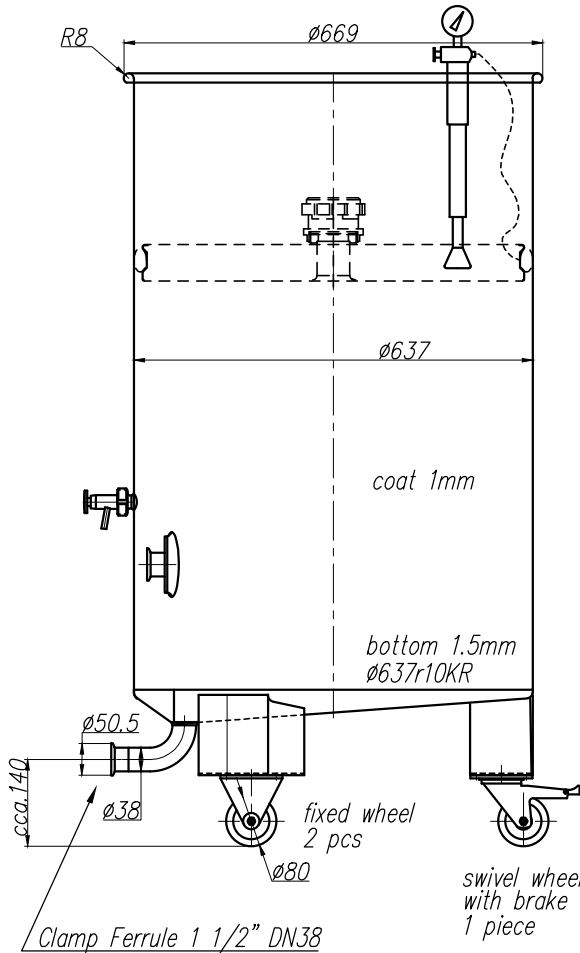


Inside: bright (mirror)  
 Outside: polished with rotatad  
 overlapping pads

pressure/depression  
 compensating valve DN50 (SVS art.211)

pneumatic lid with air tube  
 and pump with manometer CAE art. 1242



25.01.2011.  
 Please verify a drawing!

All dimensions are in milimeters!

|                     |               |
|---------------------|---------------|
| P.O number:         | P: 2011-00014 |
| Price: (EUR/piece)  |               |
| Quantity:           | 15            |
| Date of delivery:   | 28.02.2011    |
| Order confirmation: |               |

|          |              |                             |                             |             |             |   |
|----------|--------------|-----------------------------|-----------------------------|-------------|-------------|---|
|          | Dimenzije:   | Godina: 2011.               | Datum                       | Ime         | Potpis      |   |
|          | Radni nalog: | List: Listova:              | Konst: 25.01.               | I.Pintarić  |             |   |
| Kupoc:   | Materijal:   | W.Nr.1.4301 III d (AISI304) |                             |             |             | <small>           LECTRA<br/>           ul. Braće Rankić 20<br/>           10000 Zagreb<br/>           Tel: +385 1 338 330<br/>           Fax: +385 1 338 331<br/>           e-mail: lectra@lectra.com<br/>           http://www.lectra.com/         </small> |
| Mjerilo: | Stroj:       | St. PATRICKS                | W.Nr.1.4301 III d (AISI304) | Artiki br.: | Sklop broj: |   |
|          |              |                             | Tank PZ320 S6               | 1101-001121 |             |   |

Pridržavamo pravo izmjena.