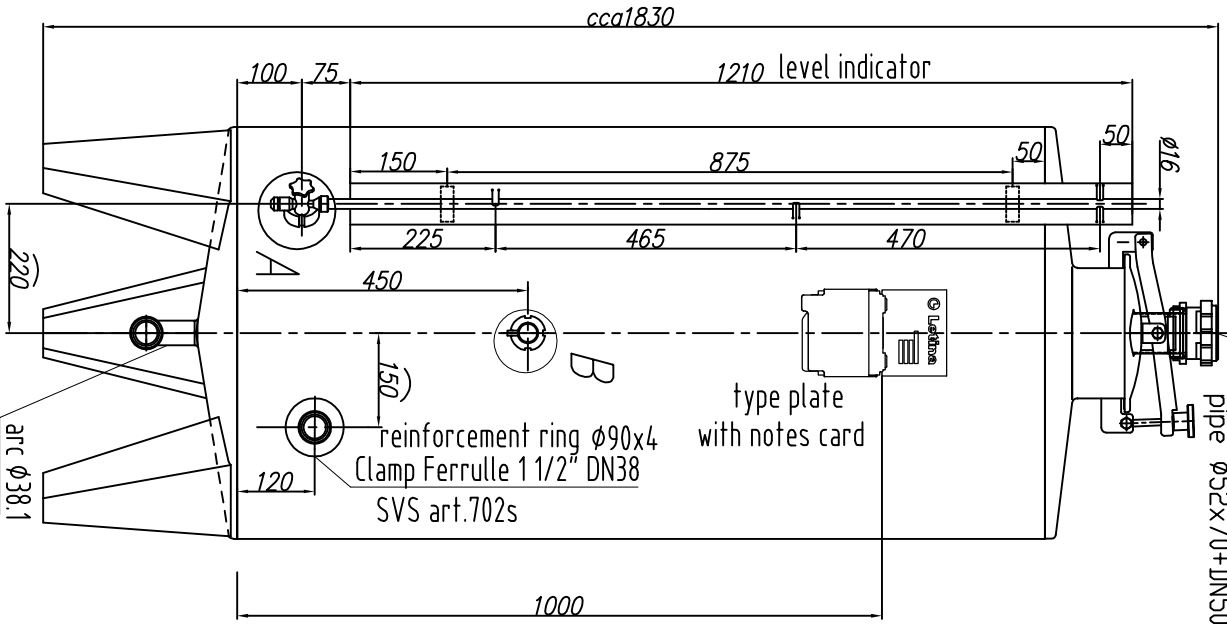


Manhole cover Letina ϕ 200

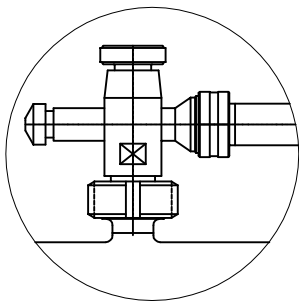
pressure/depression

compensating valve in polyethylene,

pipe $\phi 52 \times 70 + DN50 - SVS$ art.211



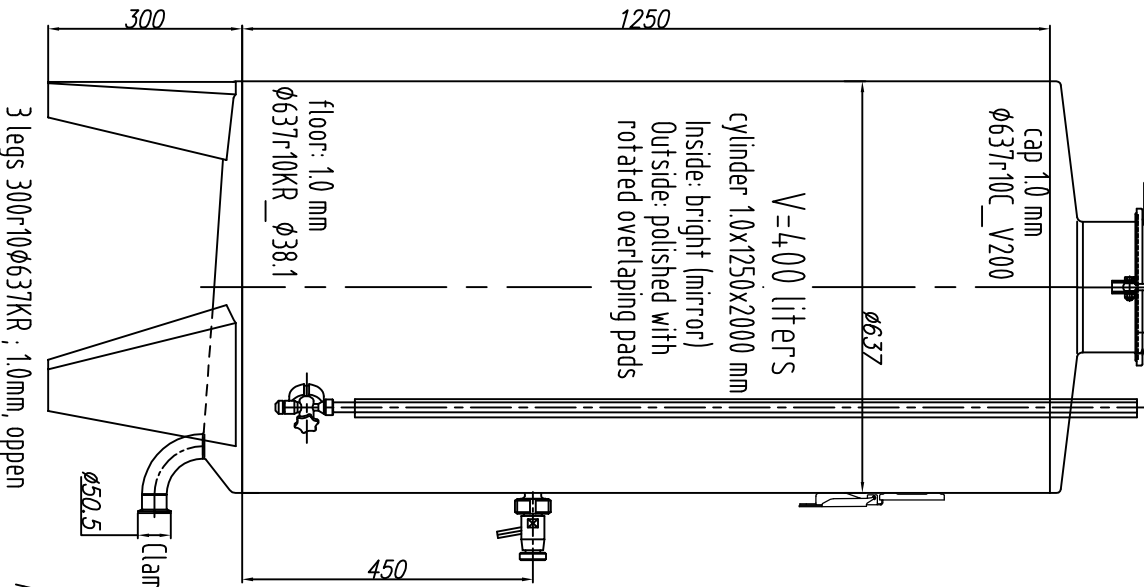
Detail A



3-way valve Letina NW/15 with holder DN15 (DIN11851)

Detail B

sample tap NW/15 Letina with holder DN15 (DIN11851)



3 legs 300r10 ϕ 637KR ; 1.0mm, oppen

floor: 1.0 mm $\phi 637r10KR$ $\phi 38.1$

(Clamp Ferrulle 1 1/2" DN38 SVS art.702s

All dimensions presented in millimeters! Please check the drawing! Thanks!

P.O. number:	P.2011-00014
Price:(EUR/piece)	
Quantity:	10
Date of delivery:	28.02.2011
Order confirmation:	

	Godište: 2011 Datum: 13.01. Ime: D.Šupljika Polje:	
	List: 1 Listova: 1 Kosa: 13.01. Dimenzije:	
Radni nalog: 004.811_STPATRICKS Materijal: W.Nr.1.4301 III d (AISI 304 2R)	Struj: Tank ZR400A6 Artikel nr.: 1102-000298	Pridržavamo pravo izmjene.