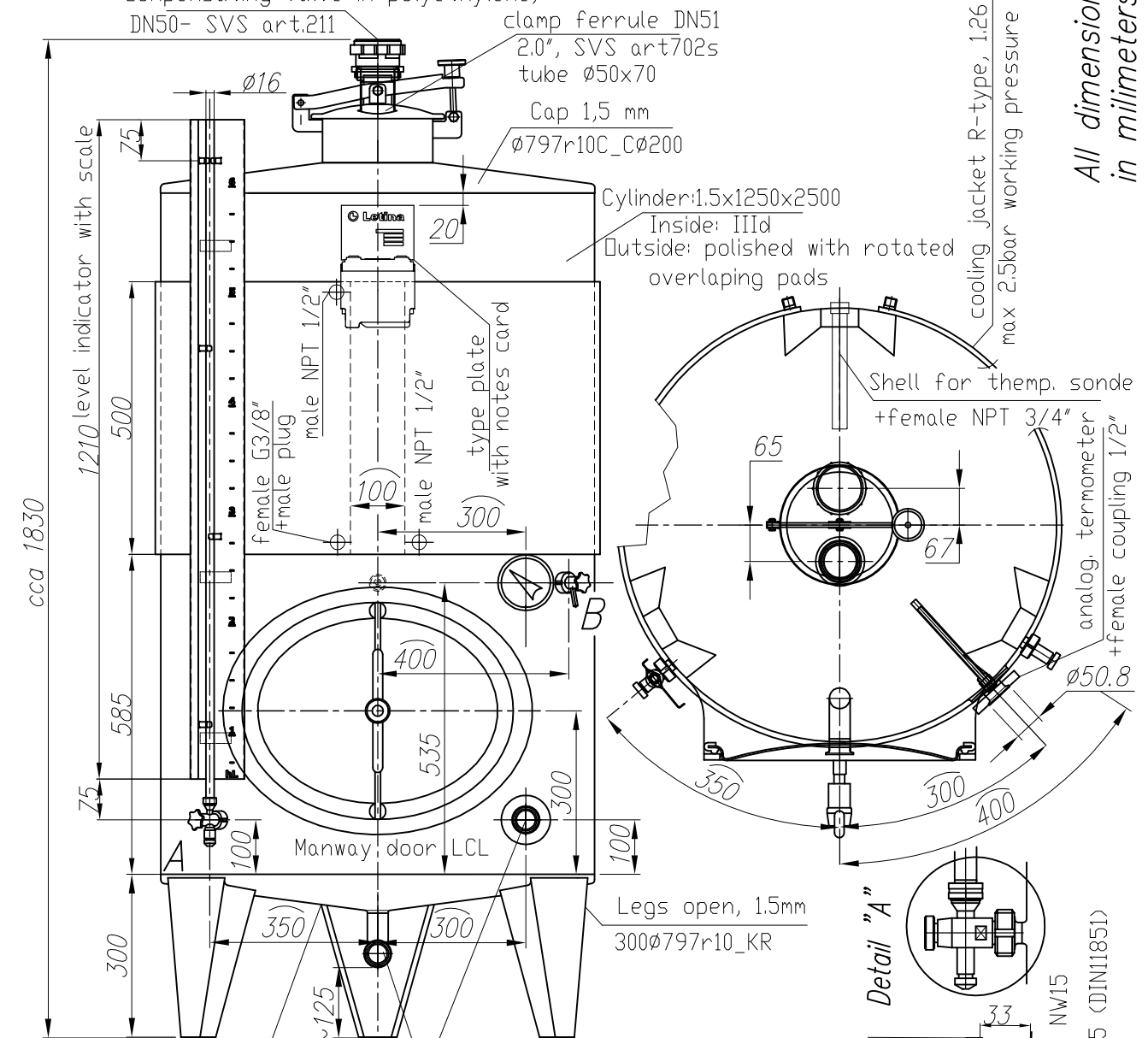


17.12.2009
Please verify a drawing.
Thanks!

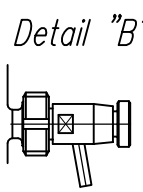
Manhole cover Z typ T1/230, Ø200
pressure/depression
compensating valve in polyethylene,
DN50- SVS art.211



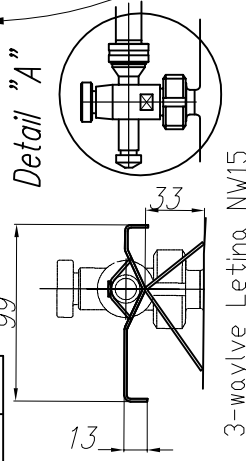
cooling jacket R-type, 1.26 m²
max 2.5bar working pressure

All dimensions are
in millimeters!

sample tap NW15 Letina
with holder DN15 (DINI1851)



P.O number:	P: 2009-02099
Price: (EUR/piece)	1.501,00 € -36%
Quantity:	10
Date of delivery:	28.02.2010.
Order confirmation:	



3-wayve Letina NW15
with holder DN15 (DINI1851)

179909_St.Patricks

	50 mm	Godina: 2009	Datum	Ime	Potpis	
Radni nalog:	Materijal:	List: 1	Listova: 1	Konst: 17.12.	D.Šupljika	Letina Inc. d.o.o. Dr. Ivana Hrabak 50 HR-40000 Čakovci HR10125A Tel: +385 40 339 100 Fax: +385 40 339 200 e-mail: letina-hr@letina.com http://www.letina.com/
	Pozicija:	Dimenzije:				
Mjerilo:	Stroj:	Artiki br.:				
	Tank Z 600 HV8	1103-002465				

Priznavaemo pravo izmjena.