

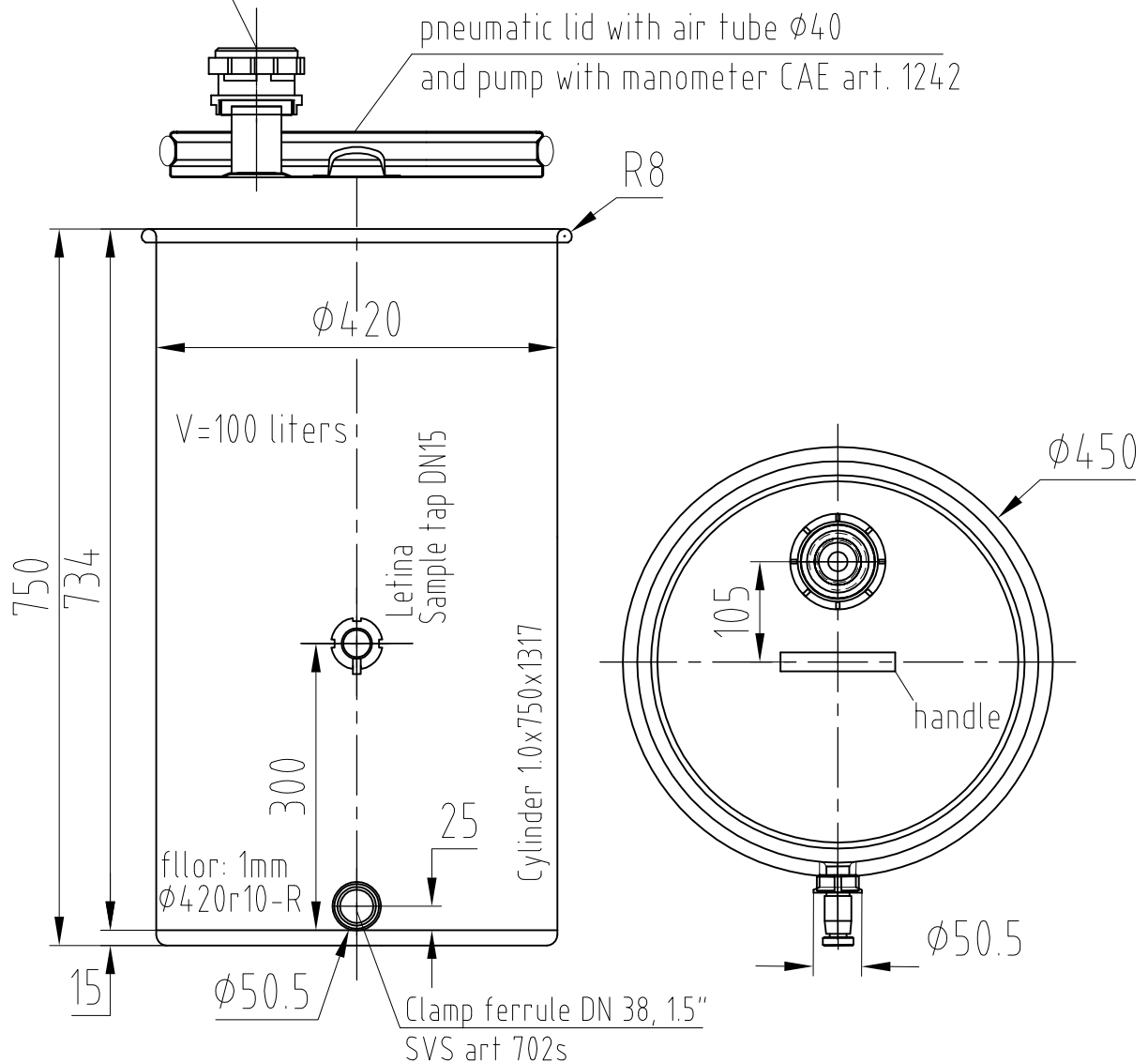
pressure/depression
compensating valve DN50

SVS art.211

Inside: bright (mirror)
Outside: polished with
rotated overlapping pads

pneumatic lid with air tube $\phi 40$

and pump with manometer CAE art. 1242



All dimensions are in milimeters!

P.O. number:	RN-08-2008-801245
Price: (EUR/piece)	
Quantity:	60
Date of delivery:	
Link:	
Order confirmation:	

20.01.2009

Please, verify a drawing.
Thanks!

	Godina: 2009.	Datum	Ime	Potpis	 Letina Inoz. d.o.o. Dr. Ivana Mirkovića 59 HR-41000 ČAKOVEC HRMATIJA Tel: +385 48 338 980 Fax: +385 48 338 200 e-mail: letina-inoz@letina.com http://www.letina.com/
Radni nalog: 005509 St.Patrick's	Matelijal: W.Nr.1.4.301 IIIId, (AISI 304 2R)	List: Listova:	Konst: 20.01.	D.Šupljika	
	Pozicija:				Pozicija:
Mjerilo:	Stroj: Tank PZ100S4	Artikl br.:	1101-000841		Pozicija: 00-00-00