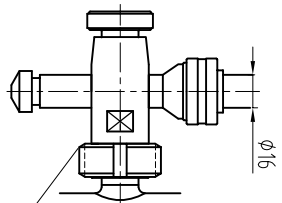
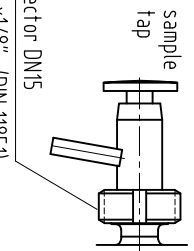


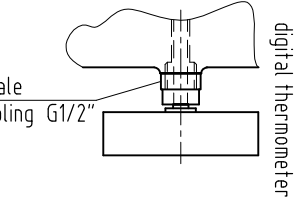
DETAIL A



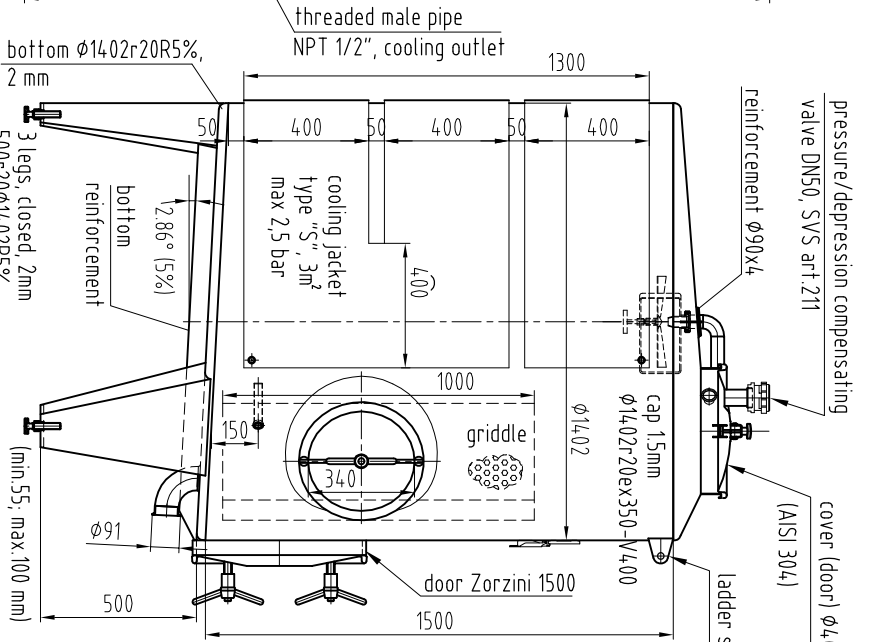
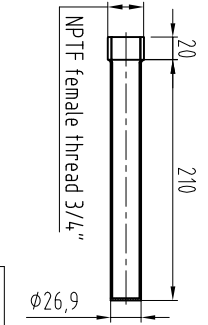
DETAIL B



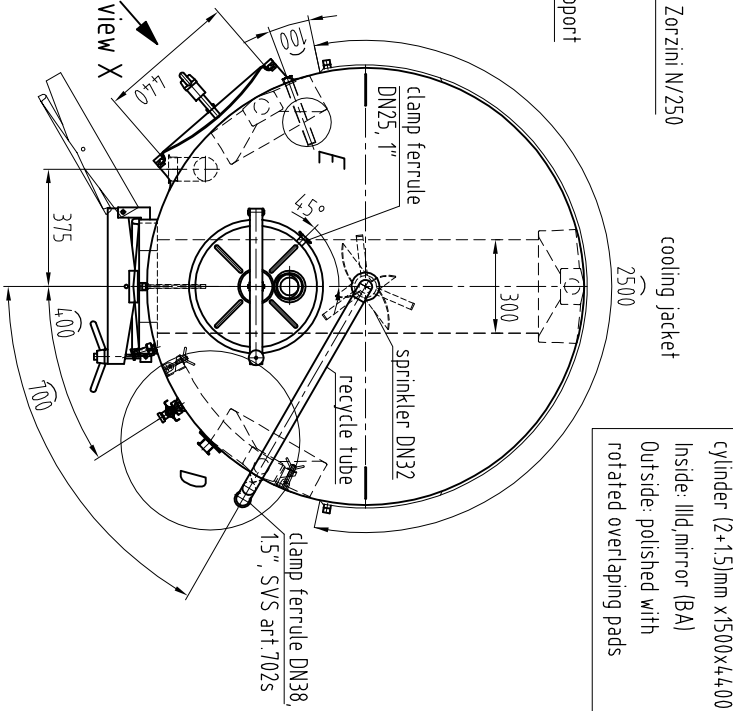
DETAIL C



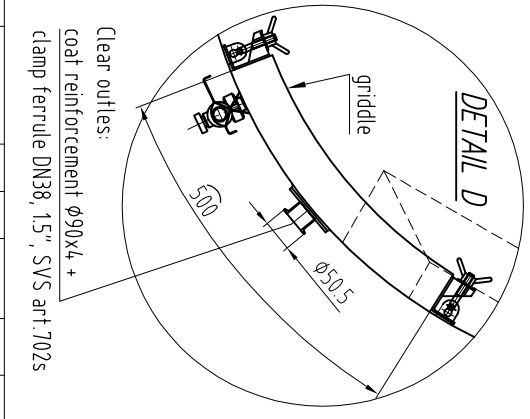
DETAIL E



view X



DETAIL D



cylinder (2+1,5)mm x1500x4400
 Inside: Illd mirror (BA)
 Outside: polished with rotated overlapping pads